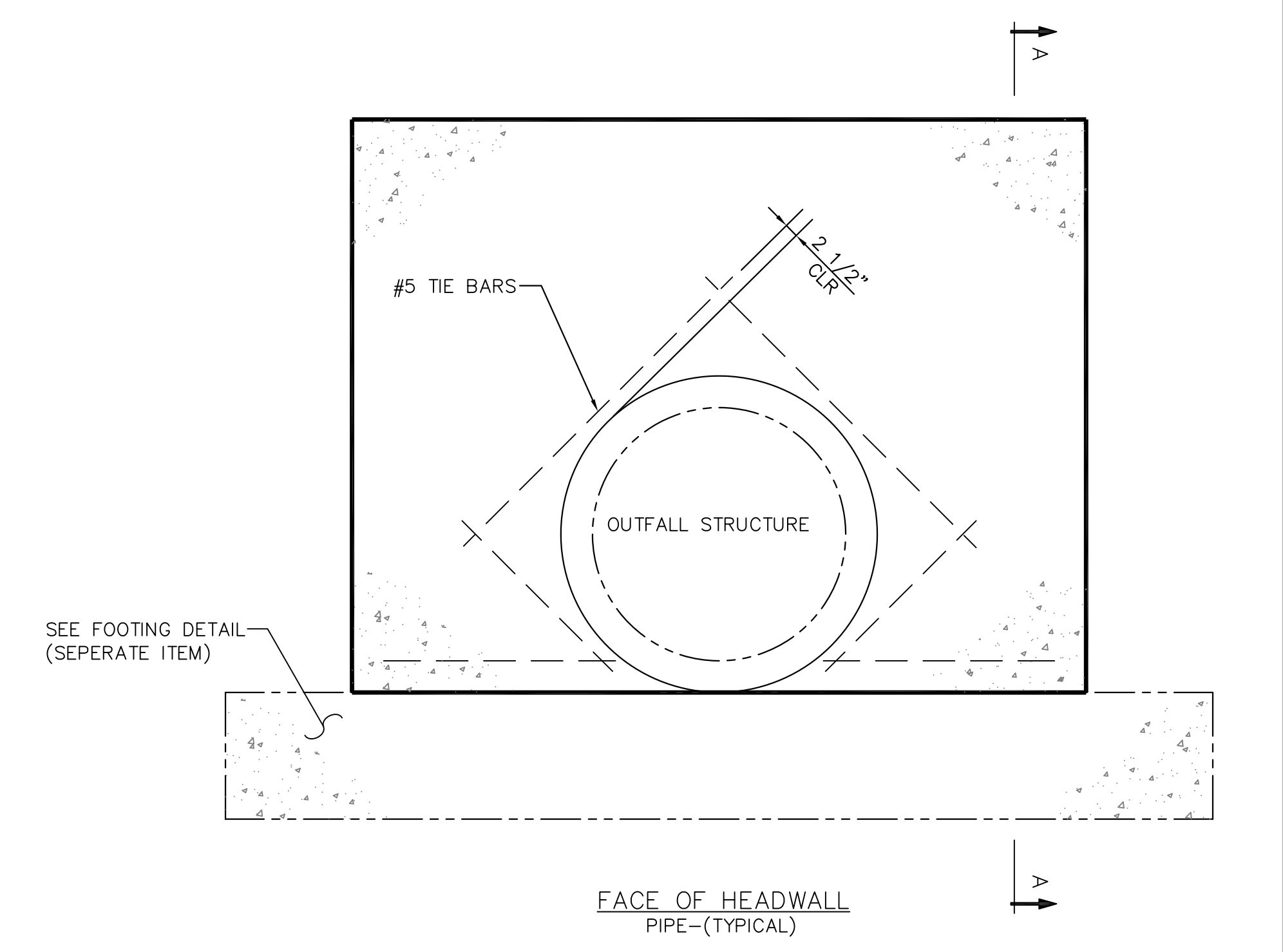
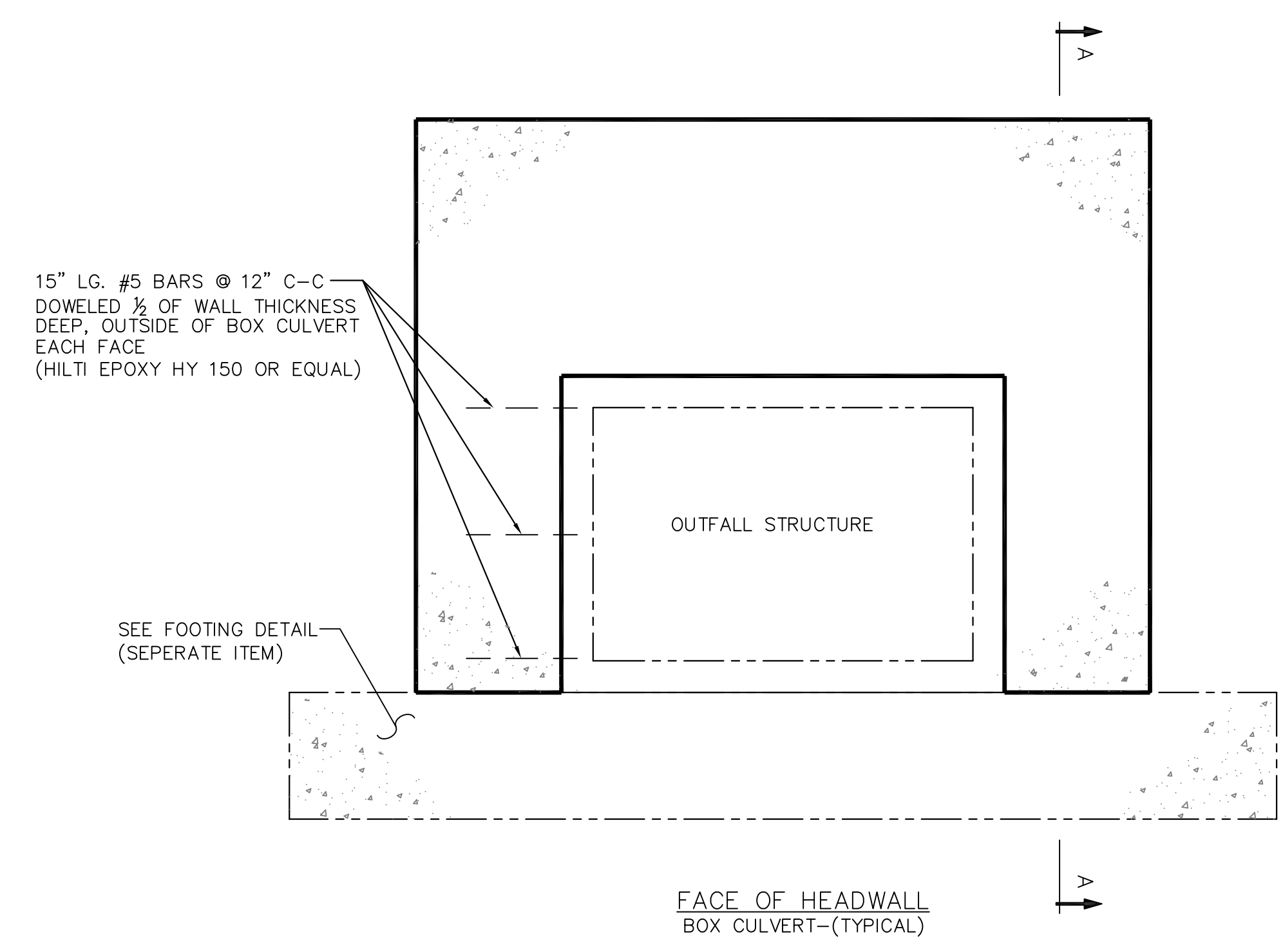
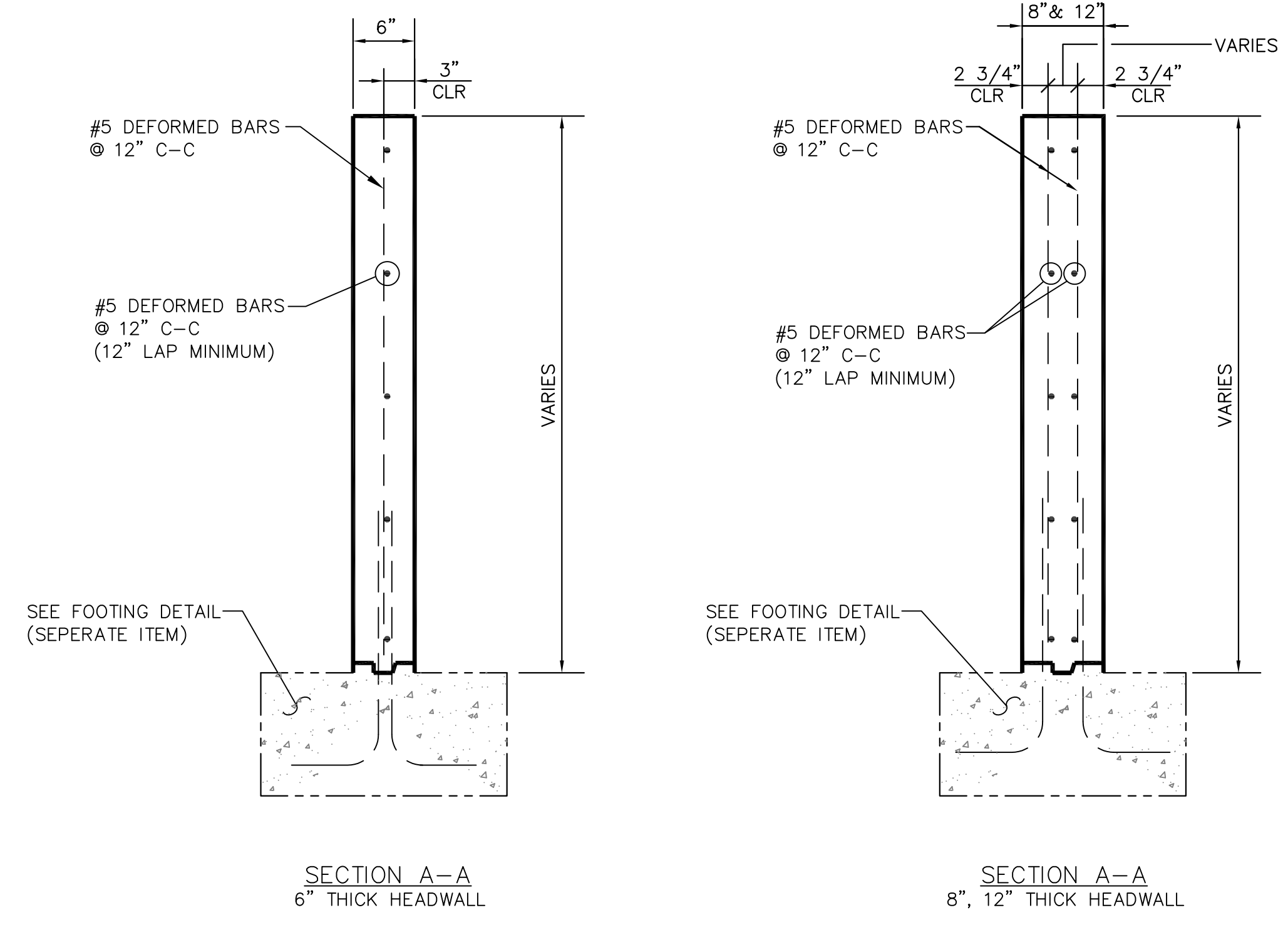


REINFORCED CONCRETE FOOTING - (TABLE 1)

FOOTING DEPTH	FOOTING WIDTH (W)	BAR "A" I	BAR "A" II	BAR "A" TOTAL LENGTH	BAR "B" I	BAR "B" II	BAR "B" TOTAL LENGTH
2'	2'	1'-6"	0'-7"	2'-8"	3'-0"	0'-9"	3'-9"
2'	3'	1'-6"	0'-9"	3'-0"	3'-0"	1'-0"	4'-0"
2'	4'	1'-6"	1'-0"	3'-6"	3'-0"	1'-3"	4'-3"

- GENERAL NOTES :
1. THE DIMENSIONS SHOWN ARE THE MINIMUM REQUIRED BY THE DISTRICT.
 2. ALL CONCRETE SHALL HAVE A MINIMUM OF 3500 PSI COMPRESSIVE STRENGTH IN 28 DAYS.
 3. ALL REINFORCING STEEL SHALL MEET OR EXCEED A.S.T.M 615, GRADE 60.



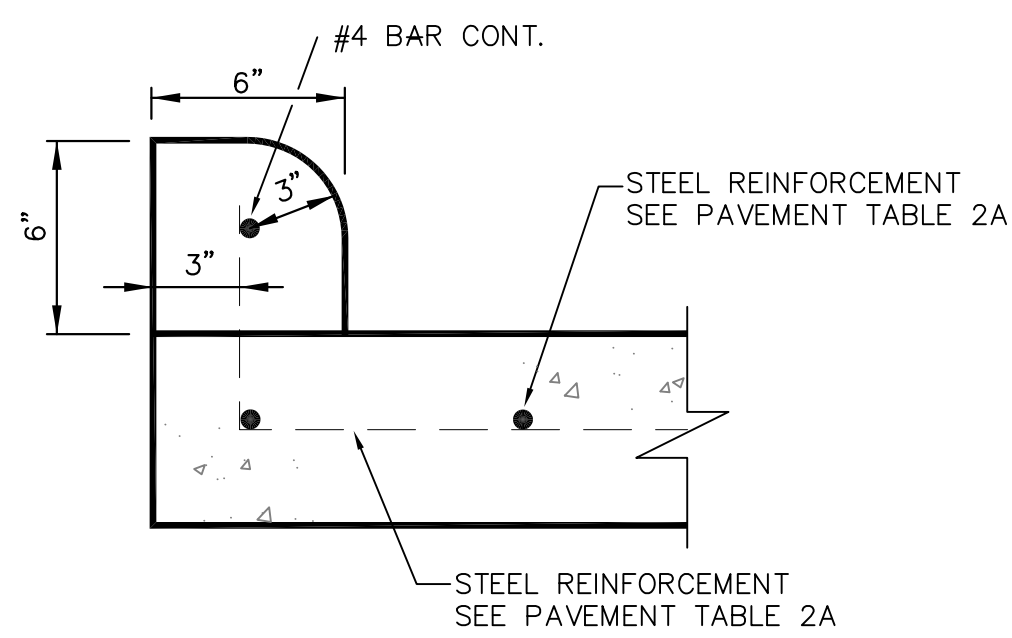
NO.	DATE	REVISIONS	APP.

BRAZORIA DRAINAGE DISTRICT NO. 4

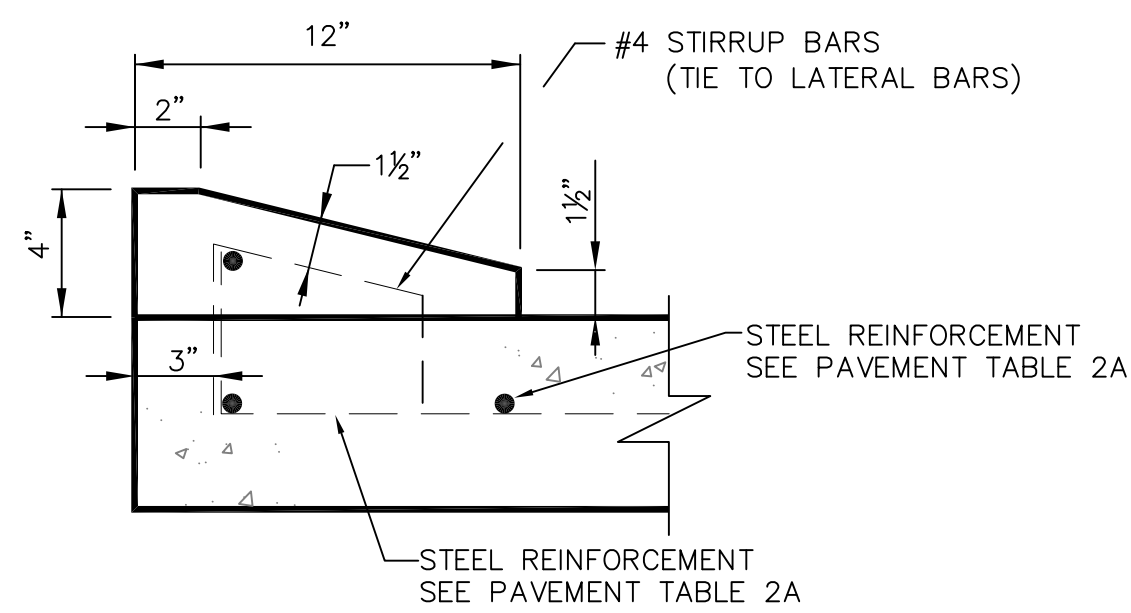


BRAZORIA DRAINAGE DISTRICT NO. 4
 4813 W. BROADWAY
 PEARLAND, TEXAS 77581
 PHONE 281-485-1434
 FAX 281-485-0065
 WEBSITE HTTP://BDD4.ORG

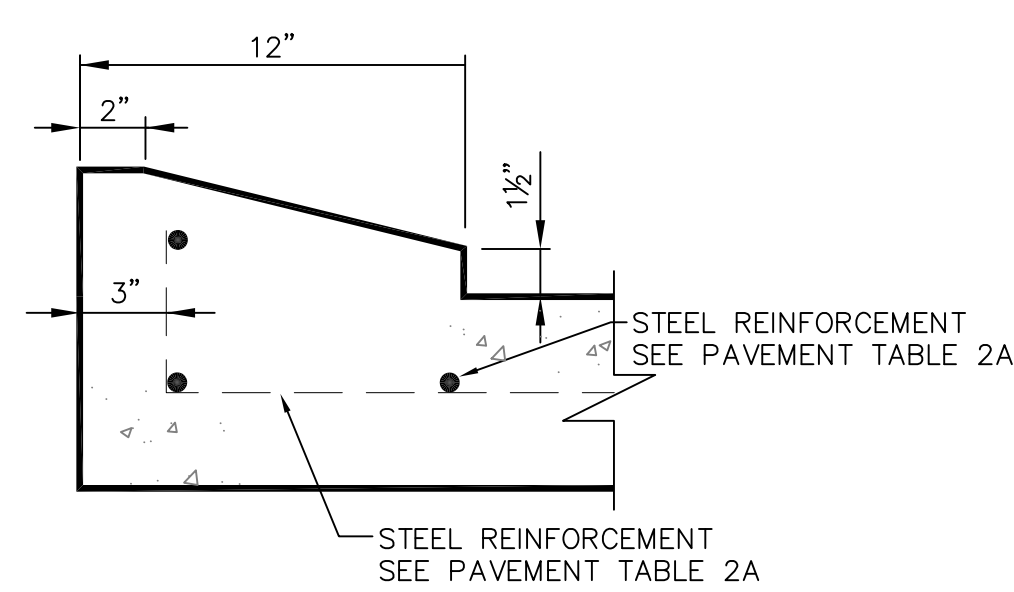
STANDARD DETAIL	
DRAWN BY: THD	ANNUAL CONTRACT BID ITEMS
DESIGNED BY: THD	SCALE: NTS
APPROVED BY:	DATE UPDATED: 06-29-2020
JOB NO.: 2020-CPS	SHEET NO.: 1 OF 2



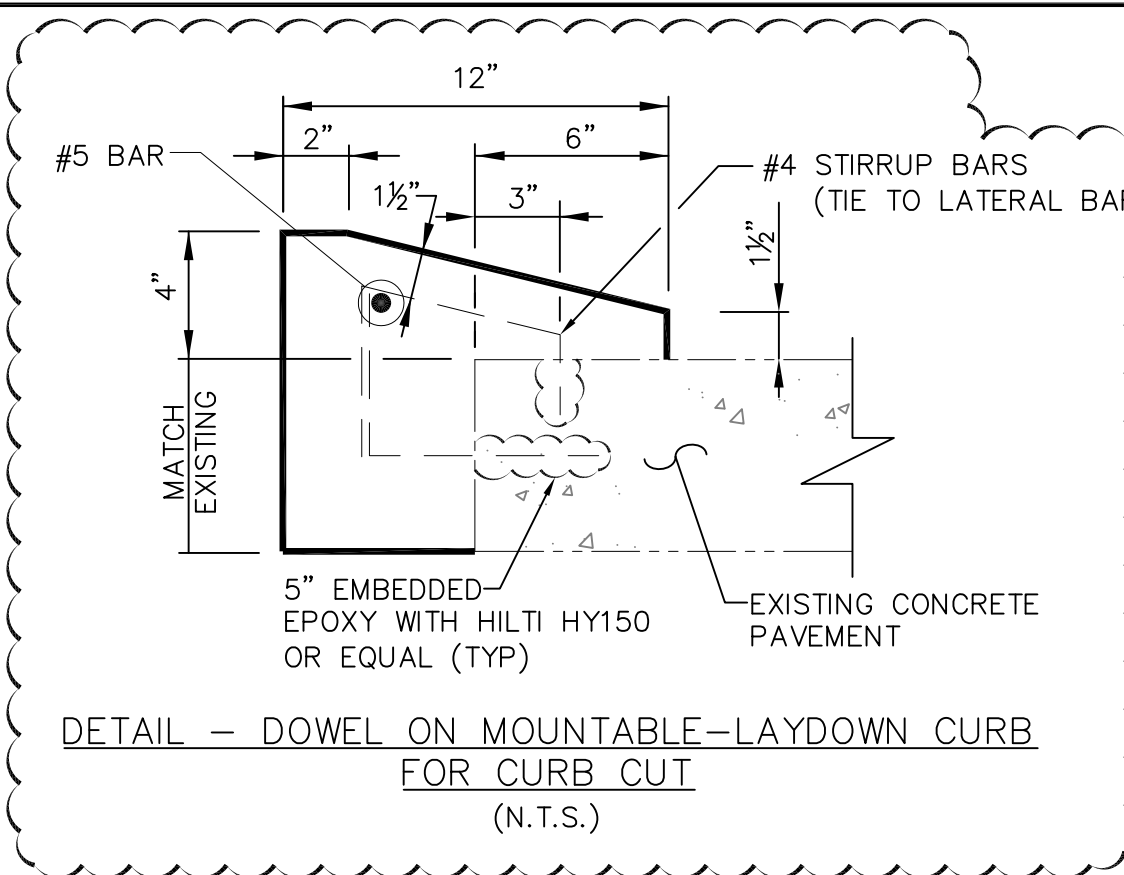
DETAIL - CONCRETE CURB
(N.T.S.)



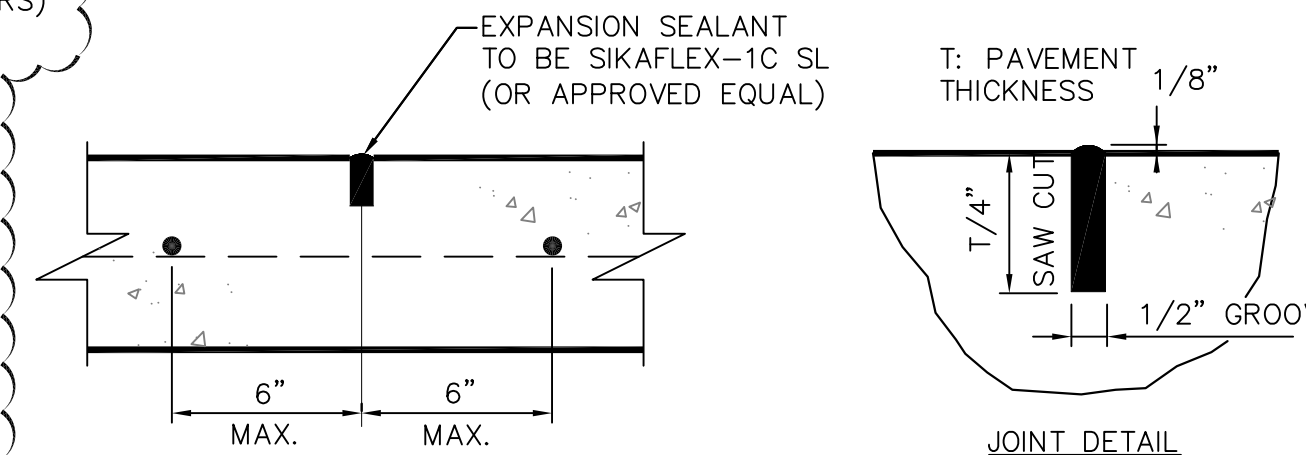
DETAIL - DOWEL ON MOUNTABLE-LAYDOWN CURB
(N.T.S.)



DETAIL - DOWEL ON MOUNTABLE-LAYDOWN CURB
(N.T.S.)



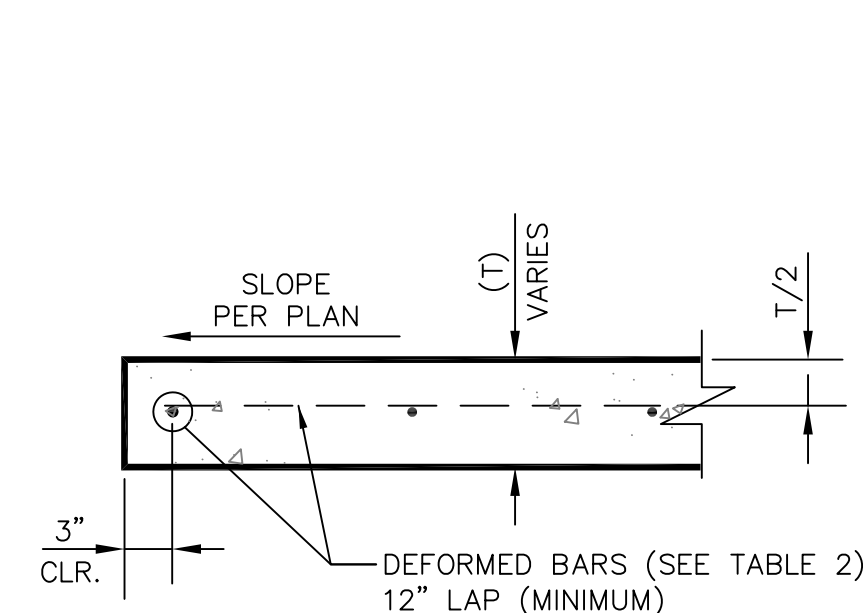
DETAIL - DOWEL ON MOUNTABLE-LAYDOWN CURB
FOR CURB CUT
(N.T.S.)



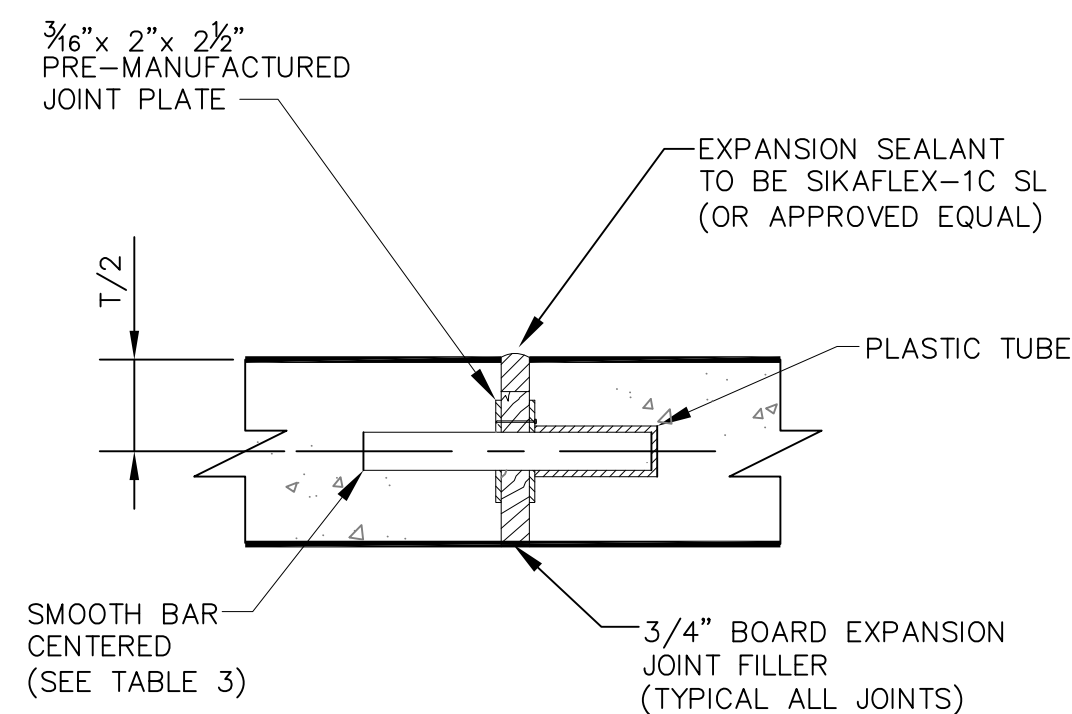
DETAIL - CONTROL JOINT
(N.T.S.)
(SEE TABLE 2)

GENERAL NOTES :

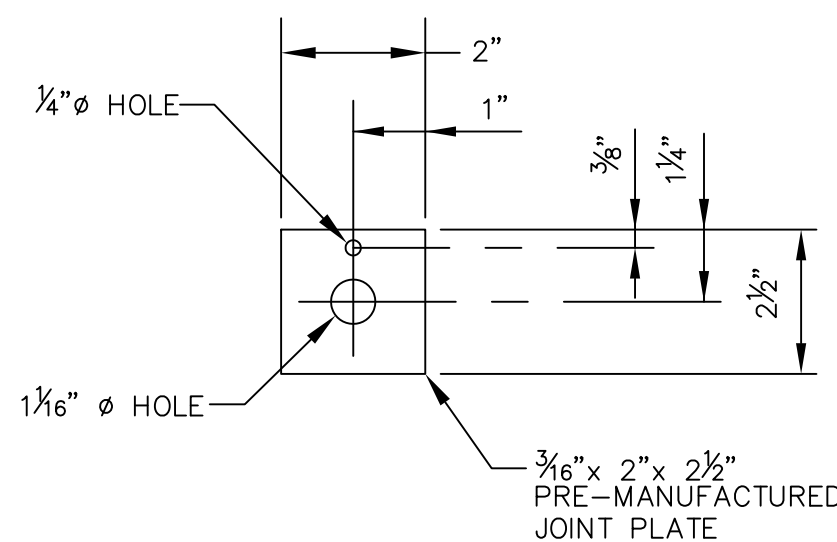
1. THE DIMENSIONS SHOWN ARE THE MINIMUM REQUIRED BY THE DISTRICT.
2. ALL CONCRETE SHALL HAVE A MINIMUM OF 3500 PSI COMPRESSIVE STRENGTH IN 28 DAYS.
3. ALL REINFORCING STEEL SHALL MEET OR EXCEED A.S.T.M 615, GRADE 60.



TYPICAL SECTION
REINFORCED CONCRETE FLAT PAVING
(N.T.S.)
(SEE TABLE 2)



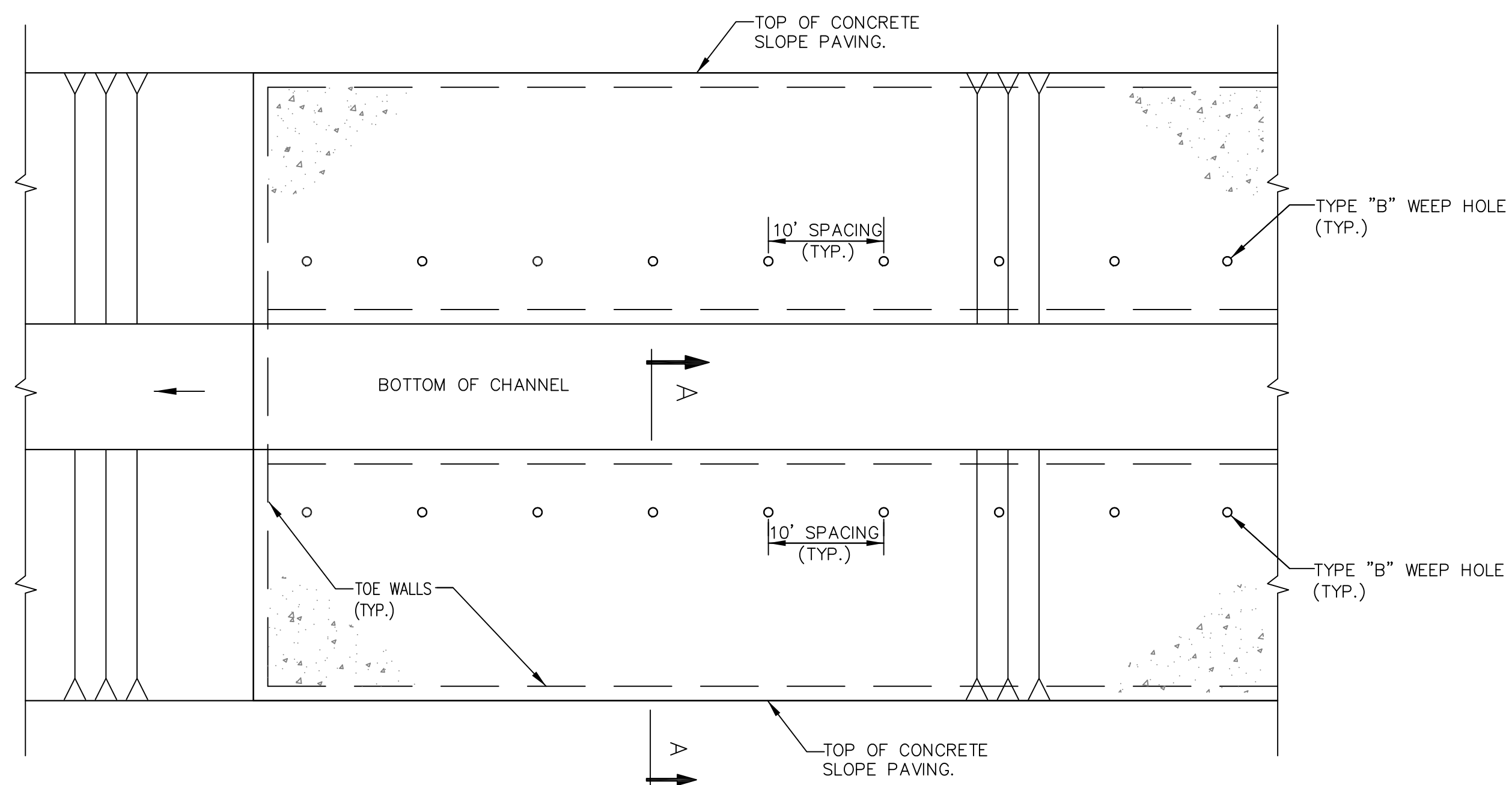
DETAIL - DOWELED EXPANSION JOINT
(N.T.S.)
(SEE TABLE 3)



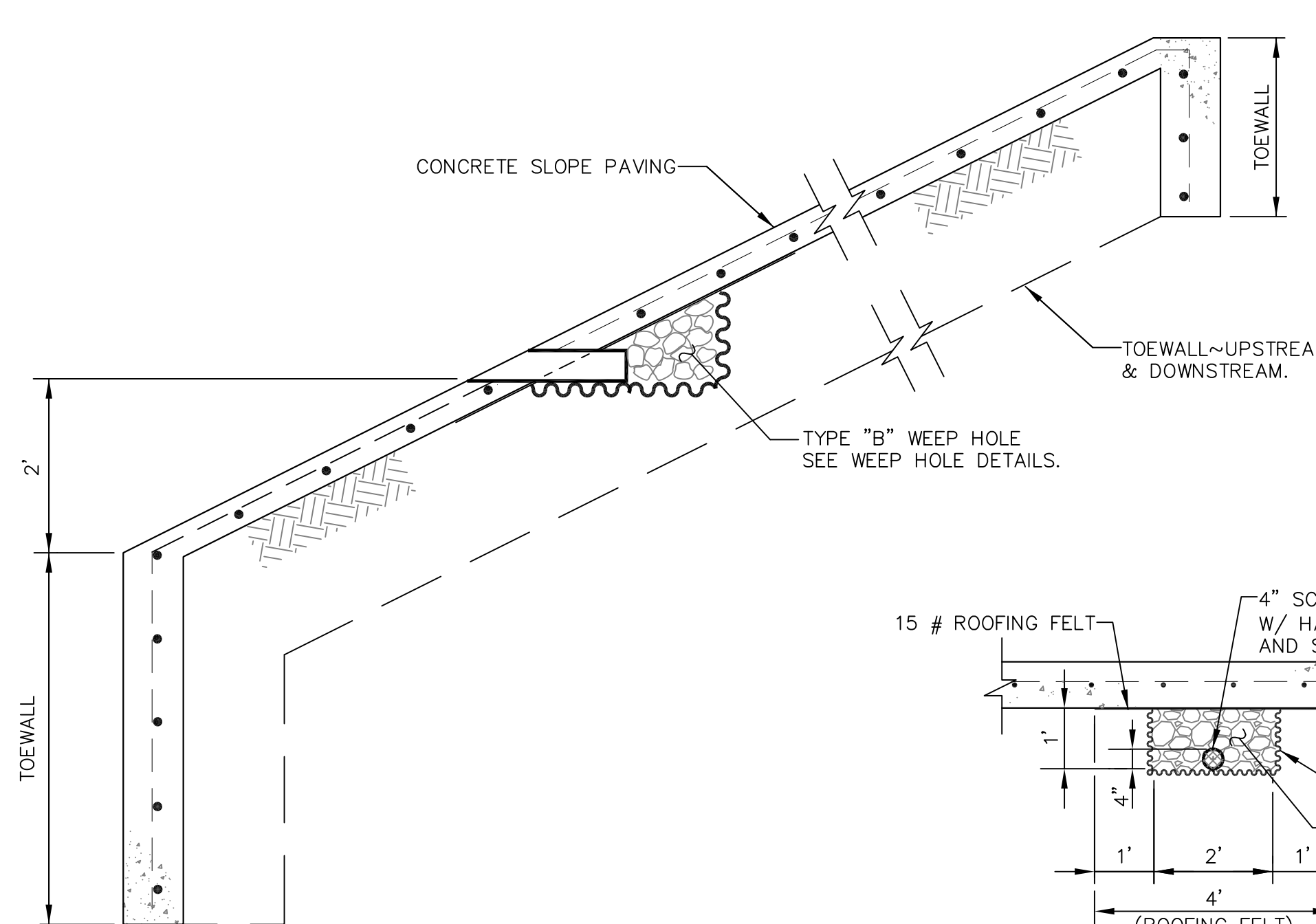
JOINT PLATE
(N.T.S.)

REINFORCED CONCRETE FLAT PAVING-(TABLE 2)					
PAVEMENT THICKNESS	REBAR SIZE	REBAR SPACING	FIRST SPACING AT EDGE	EXPANSION JOINT SPACING	CONSTRUCTION JOINT SPACING
4"	#4	15"	3"	12'	12'
5"	#4	15"	3"	15'	15'
6"	#5	15"	3"	15'	15'
8"	#6	15"	3"	20'	20'

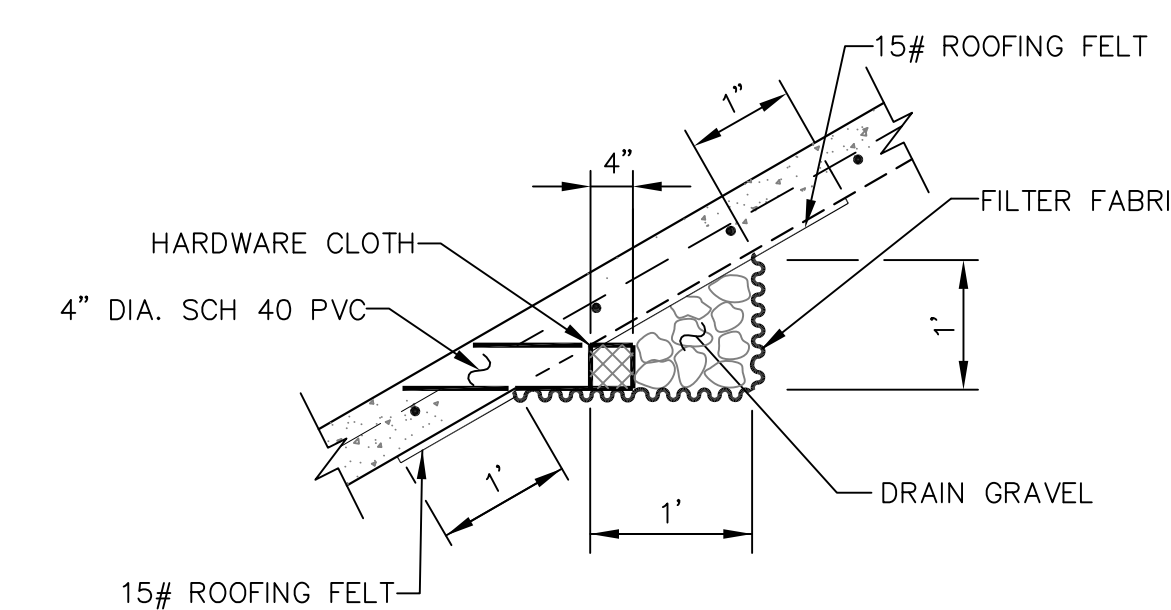
DOWELED EXPANSION JOINT - (TABLE 3)			
PAVEMENT THICKNESS (T)	DOWEL SIZE	DOWEL LENGTH	DOWEL SPACING
4"	1/2"	18"	12"
5"	1/2"	18"	12"
6"	3/4"	18"	12"
8"	1"	18"	12"



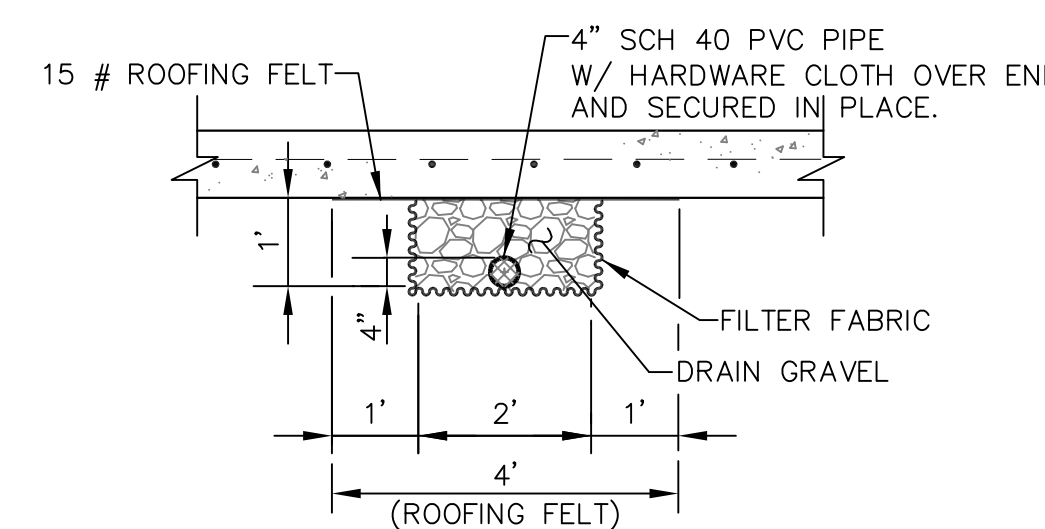
PLAN VIEW - WEEP HOLE LAYOUT
(N.T.S.)



SECTION A-A
(N.T.S.)



DETAIL - WEEP HOLE
(N.T.S.)



DETAIL - WEEP HOLE
PIPE-(TYPICAL)

1. MATERIALS:

- PIPE 4 INCH DIA. SCH. 40 PVC
- DRAIN GRAVEL

SIEVE SIZE	FINE %
1 IN	100
3/4 IN	70-100
3/8 IN	20-90
NO. 4	0-60
NO. 8	0
- HARDWARE CLOTH MIN. OPEN 1/8 IN MAX. OPEN 1/4 IN
- FILTER FABRIC NON-WOVEN GEOTEXTILE

MIN. AOS	SIEVE NO.	100 MIN.
MAX. AOS	SIEVE NO.	70 MAX.
WEIGHT	OZ/SY	6 OZ. MIN.

2. CUT WEEP HOLE PIPE FLUSH WITH CONCRETE.

NO.	DATE	REVISIONS	APP.

BRAZORIA DRAINAGE DISTRICT NO. 4



BRAZORIA DRAINAGE DISTRICT NO. 4

4813 W. BROADWAY
PEARLAND, TEXAS 77581
PHONE 281-485-1434
FAX 281-485-0065
WEBSITE HTTP://BDD4.ORG

STANDARD DETAIL

DRAWN BY:	THD	ANNUAL CONTRACT BID ITEMS	SCALE:	N.T.S.
DESIGNED BY:	THD		DATE UPDATED:	06-29-2020
APPROVED BY:			SHEET NO.:	2 OF 2
JOB NO.:	2020-CPS			