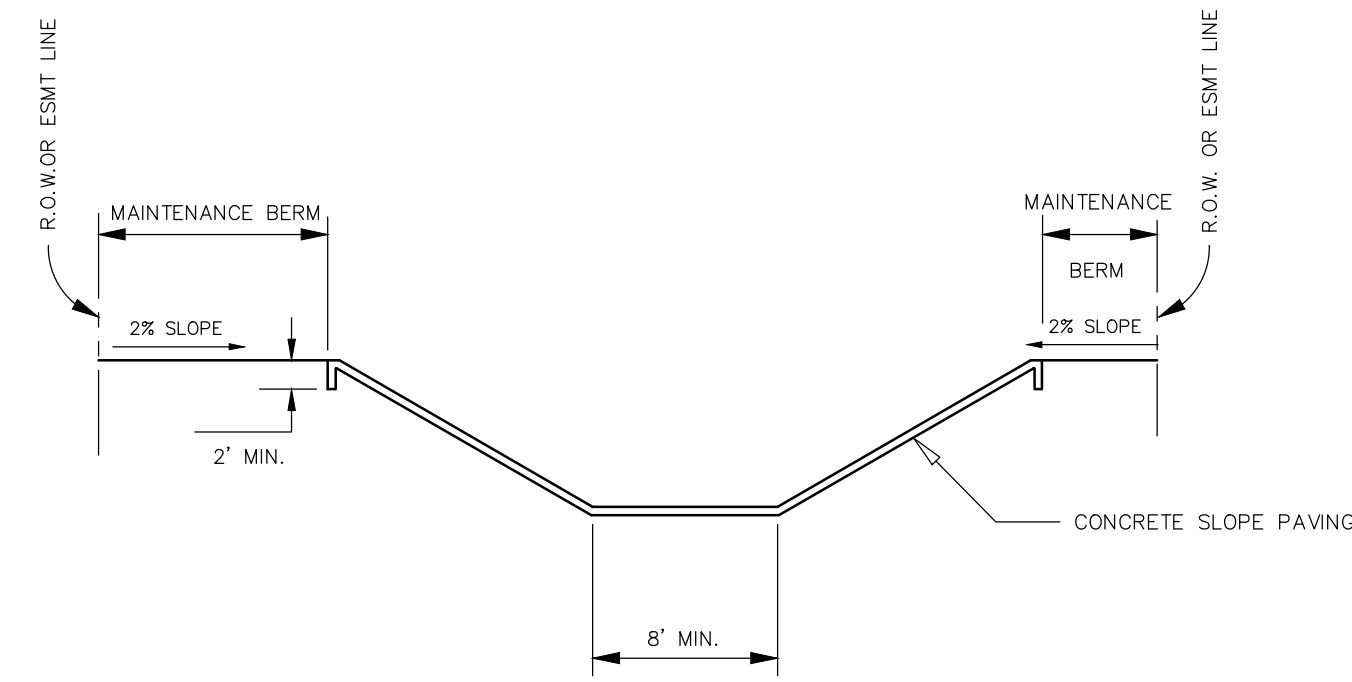
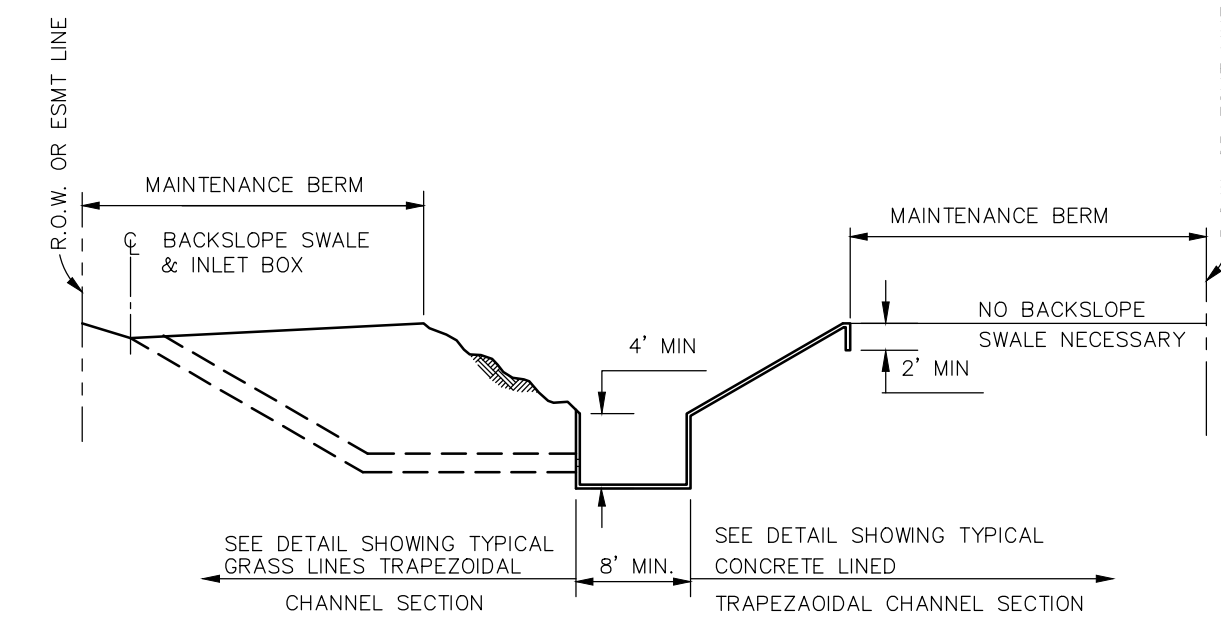


TYPICAL GRASS LINED  
TRAPEZOIDAL CHANNEL SECTION  
DETAIL 2013-07-18-07



- NOTES.**
- SEE RULES, REGULATIONS, AND GUIDE LINES FOR SIDE SLOPE REQUIREMENT. A GEOTECHNICAL ANALYSIS MAY BE REQUIRED.
  - BACK SLOPE SWALES ARE AND INTERCEPTORS ARE NOT REQUIRED FOR CONCRETE LINED SECTIONS.
  - SEE OTHER DETAILS FOR SLOPE PAVING AND TOE WALL REQUIREMENTS.
  - MAINTENANCE BERM WIDTHS VARY BASED UPON CHANNEL DEPTH AND OTHER FACTORS SEE RULES REGULATIONS, AND GUIDELINES FOR ADDITIONAL INFORMATION.

TYPICAL CONCRETE LINED  
TRAPEZOIDAL CHANNEL SECTION  
DETAIL 2013-07-18-08

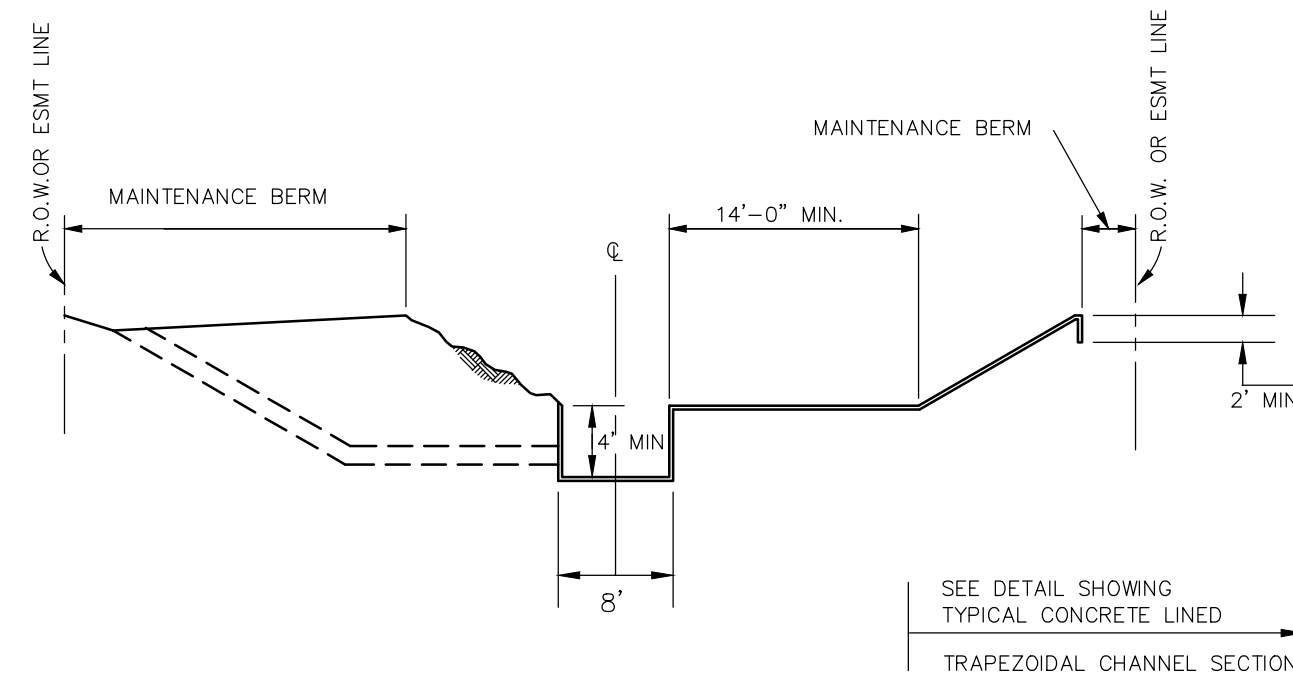


TYPICAL CONCRETE LINED LOW FLOW CHANNEL SECTION  
WITH/WITHOUT CONCRETE SLOPE PAVING  
DETAIL 2013-07-18-09

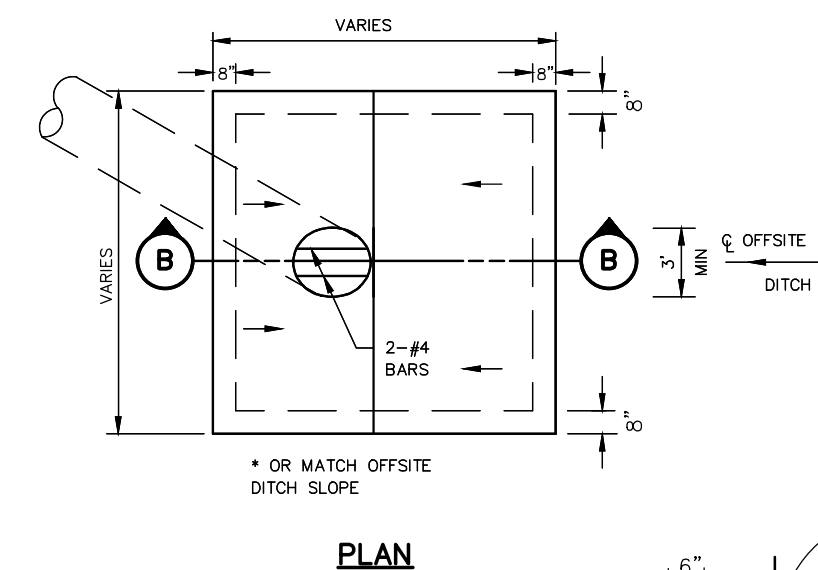
**BDD#4 SPECIAL NOTES**

- ANY GOVERNMENTAL BODY FOR PURPOSES OF DRAINAGE WORK MAY USE DRAINAGE EASEMENTS AND FEE STRIPS PROVIDED THE DISTRICT IS PROPERLY NOTIFIED.
- PERMANENT STRUCTURES, INCLUDING FENCES AND PERMANENT LANDSCAPING, SHALL NOT BE ERRECTED IN A DRAINAGE EASEMENT OR FEE STRIP.
- MAINTENANCE OF DETENTION FACILITIES IS THE SOLE RESPONSIBILITY OF THE OWNER OF THE PROPERTY. THE DISTRICT WILL PROVIDE MAINTENANCE OF REGIONAL FACILITIES OWNED AND CONSTRUCTED BY THE DISTRICT, OR SUBREGIONAL FACILITIES CONSTRUCTED BY DEVELOPER(S) FOR WHICH OWNERSHIP HAS BEEN TRANSFERRED TO THE DISTRICT WITH THE DISTRICTS APPROVAL. THE DISTRICT IS RESPONSIBLE ONLY FOR THE MAINTENANCE OF FACILITIES OWNED BY THE DISTRICT UNLESS THE DISTRICT SPECIFICALLY CONTRACTS OR AGREES TO MAINTAIN OTHER FACILITIES.
- CONTRACTOR SHALL NOTIFY THE DISTRICT IN WRITING AT LEAST FORTY-EIGHT (48) HOURS BEFORE PLACING ANY CONCRETE FOR DRAINAGE STRUCTURES.
- THE DISTRICT'S PERSONNEL SHALL HAVE THE RIGHT TO ENTER UPON THE PROPERTY FOR INSPECTION AT ANY TIME DURING CONSTRUCTION OR AS MAY BE WARRANTED TO ENSURE THE DETENTION FACILITY IS OPERATING PROPERLY.
- APPROPRIATE COVER FOR THE SIDE SLOPES, BOTTOM AND MAINTENANCE BERM SHALL BE ESTABLISHED PRIOR TO ACCEPTANCE OF THE CONSTRUCTION BY THE DISTRICT. AT LEAST 95% GERMINATION OF THE GRASS MUST BE ESTABLISHED PRIOR TO ACCEPTANCE OF CONSTRUCTION BY THE DISTRICT.
- NO BUILDING PERMIT SHALL BE ISSUED FOR ANY LOT WITHIN THIS DEVELOPMENT UNTIL THE DETENTION FACILITY HAS BEEN CONSTRUCTED AND APPROVED BY THE DISTRICT.
- THE DISTRICTS APPROVAL OF THE FINAL DRAINAGE PLAN (AND FINAL PLAT IF REQUIRED) DOES NOT AFFECT THE PROPERTY RIGHTS OF THIRD PARTIES. THE DEVELOPER IS RESPONSIBLE FOR OBTAINING AND MAINTAINING ANY AND ALL EASEMENTS, FEE STRIPS AND/OR ANY OTHER RIGHTS-OF-WAY ACROSS THIRD PARTIES' PROPERTIES FOR PURPOSES OF MOVING EXCESS RUNOFF TO THE DISTRICTS DRAINAGE FACILITIES AS CONTEMPLATED BY THE FINAL DRAINAGE PLAN AND FINAL PLAT.

SEE THE RULES, REGULATIONS AND GUIDELINES FOR BRAZORIA DRAINAGE DISTRICT NO. 4, APPENDIX "A". EFFECTIVE MAY 1, 2013



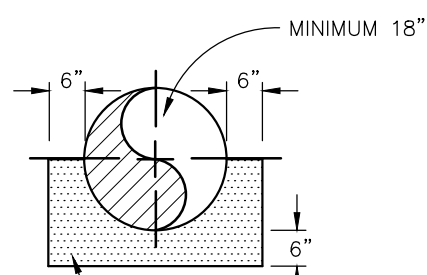
TYPICAL CONCRETE LINED CHANNEL WITH  
LOW FLOW SECTION AND MAINTENANCE SHELF.  
DETAIL 2013-07-18-10



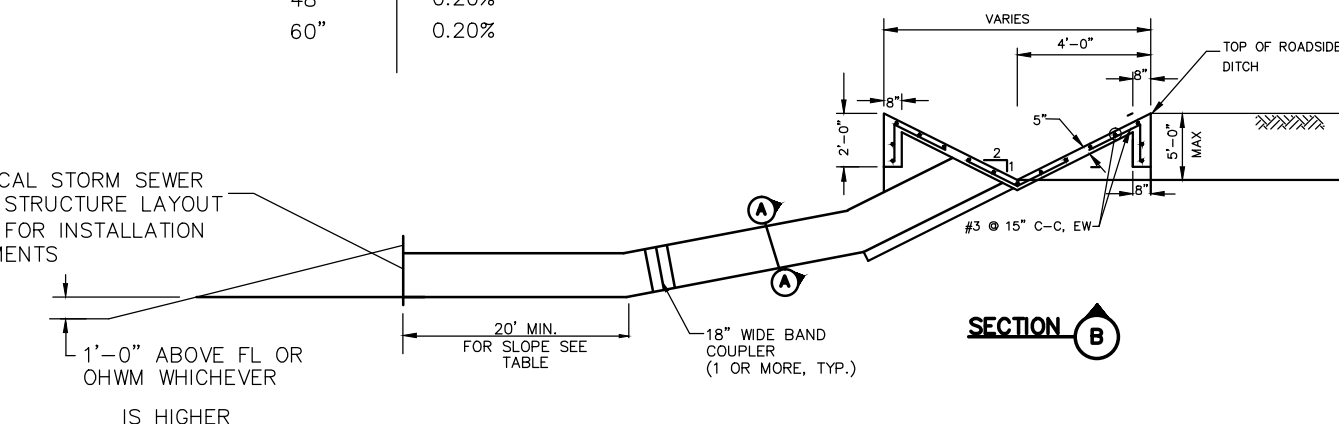
**MODIFIED TYPE "B" BERM INLET**

(HIGHWAY LOADING)  
(SECTION A-A')

PIPE DIA.	SLOPE
24"	0.60%
36"	0.30%
48"	0.20%
60"	0.20%

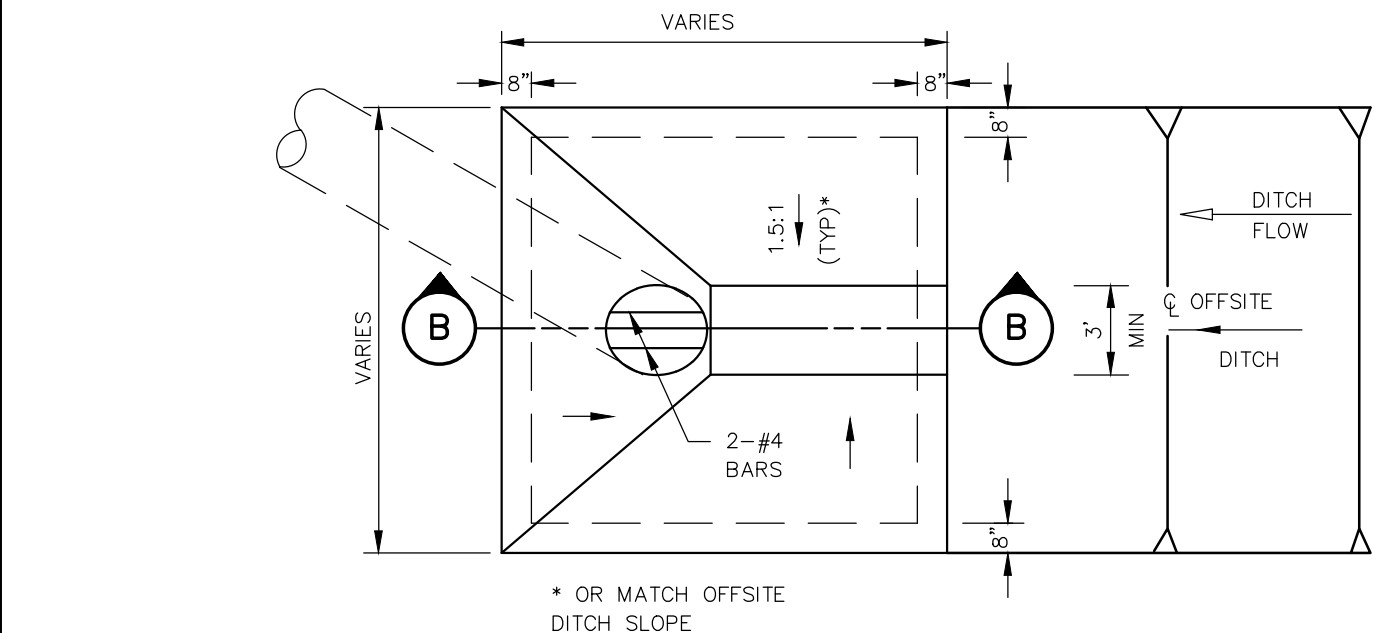


SEE TYPICAL STORM SEWER  
OUTFALL STRUCTURE LAYOUT  
(SHT. 3) FOR INSTALLATION  
REQUIREMENTS

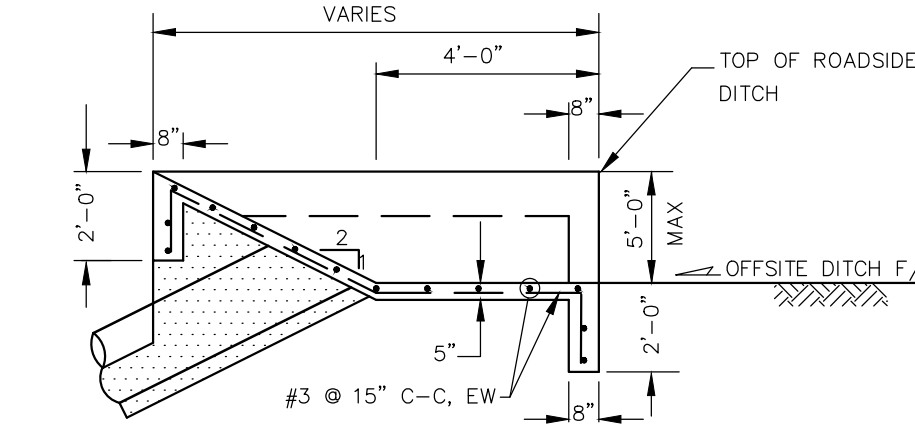
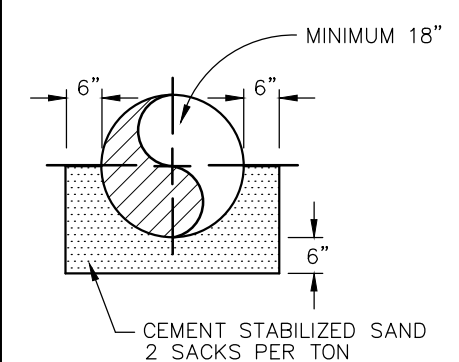


NOTE:  
OHWM - ORDINARY HIGH WATER MARK

BACKSLOPE INTERCEPTOR STRUCTURE



**PLAN**



**SECTION B**

ROADSIDE DITCH  
INTERCEPTOR STRUCTURE  
DETAIL 2013-07-18-14

SIGNATURE BLOCK FOR PRELIMINARY APPROVAL

**APPROVED BY BRAZORIA DRAINAGE DISTRICT NO. 4**

DISTRICT SUPERINTENDENT	DATE
DISTRICT ENGINEER	DATE

THE ABOVE SIGNATURES ARE VALID FOR THREE HUNDRED SIXTY-FIVE (365) CALENDAR DAYS FROM THE DATE SHOWN. THE ABOVE SIGNATURES DO NOT CONSTITUTE AUTHORIZATION FOR ANY CONSTRUCTION.

SIGNATURE BLOCK FOR FINAL APPROVAL

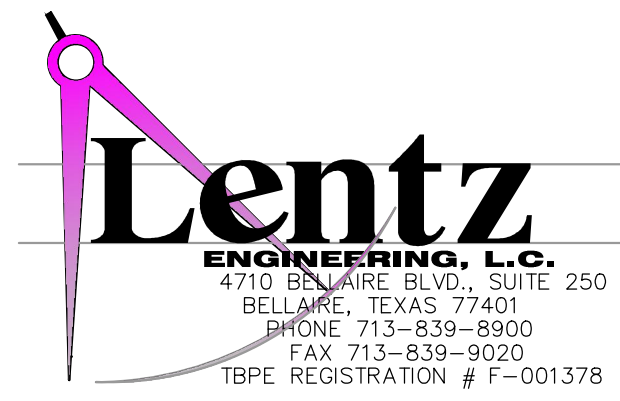
**APPROVED BY BOARD OF COMMISSIONERS ON**

BRAZORIA DRAINAGE DISTRICT NO. 4	DATE
DISTRICT ENGINEER	

THE ABOVE HAVE SIGNED THESE PLANS AND/OR PLAT BASED ON THE RECOMMENDATION OF THE DISTRICT'S ENGINEER WHO HAS REVIEWED ALL SHEETS PROVIDED AND FOUND THEM TO BE IN GENERAL COMPLIANCE WITH THE DISTRICT'S RULES, REGULATIONS, AND GUIDELINES". THIS APPROVAL IS ONLY VALID FOR THREE HUNDRED SIXTY-FIVE (365) CALENDAR DAYS. AFTER THAT TIME RE-APPROVAL IS REQUIRED. PLEASE NOTE, THIS DOES NOT NECESSARILY MEAN THAT ALL THE CALCULATIONS PROVIDED IN THESE PLANS AND/OR PLATS HAVE BEEN COMPLETELY CHECKED AND VERIFIED. PLANS SUBMITTED HAVE BEEN PREPARED, SIGNED AND SEALED BY A PROFESSIONAL ENGINEER LICENSED TO PRACTICE ENGINEERING IN THE STATE OF TEXAS AND PLAT HAS BEEN SIGNED AND SEALED BY REGISTERED PROFESSIONAL LAND SURVEYOR LICENSED TO PRACTICE IN THE STATE OF TEXAS, WHICH CONVEYS THE ENGINEER'S AND/OR SURVEYOR'S RESPONSIBILITY AND ACCOUNTABILITY.

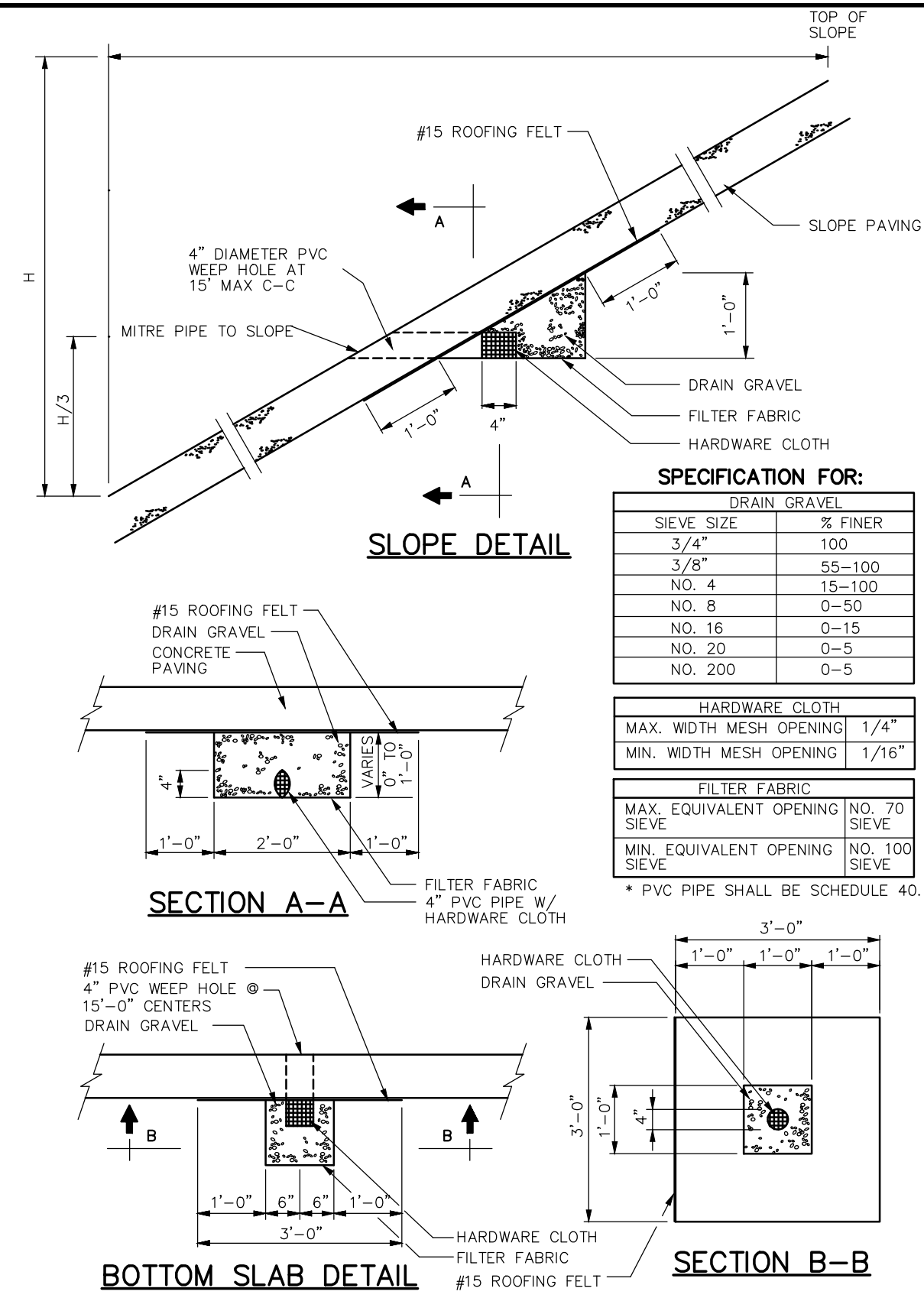
NO.	DATE	REVISIONS	APP.
	06-01-10	EFFECTIVE	JDA
	05-01-13	REVISED STANDARD DETAILS	JDA

# BRAZORIA DRAINAGE DISTRICT NO. 4



STANDARD DETAILS	
DRAWN BY:	
DESIGNED BY:	SCALE: NTS
APPROVED BY:	DATE UPDATED: 05-01-13
JOB NO.:	SHEET NO.: 1 OF 4





WEEP HOLE DETAIL  
DETAIL 2013-07-18-06

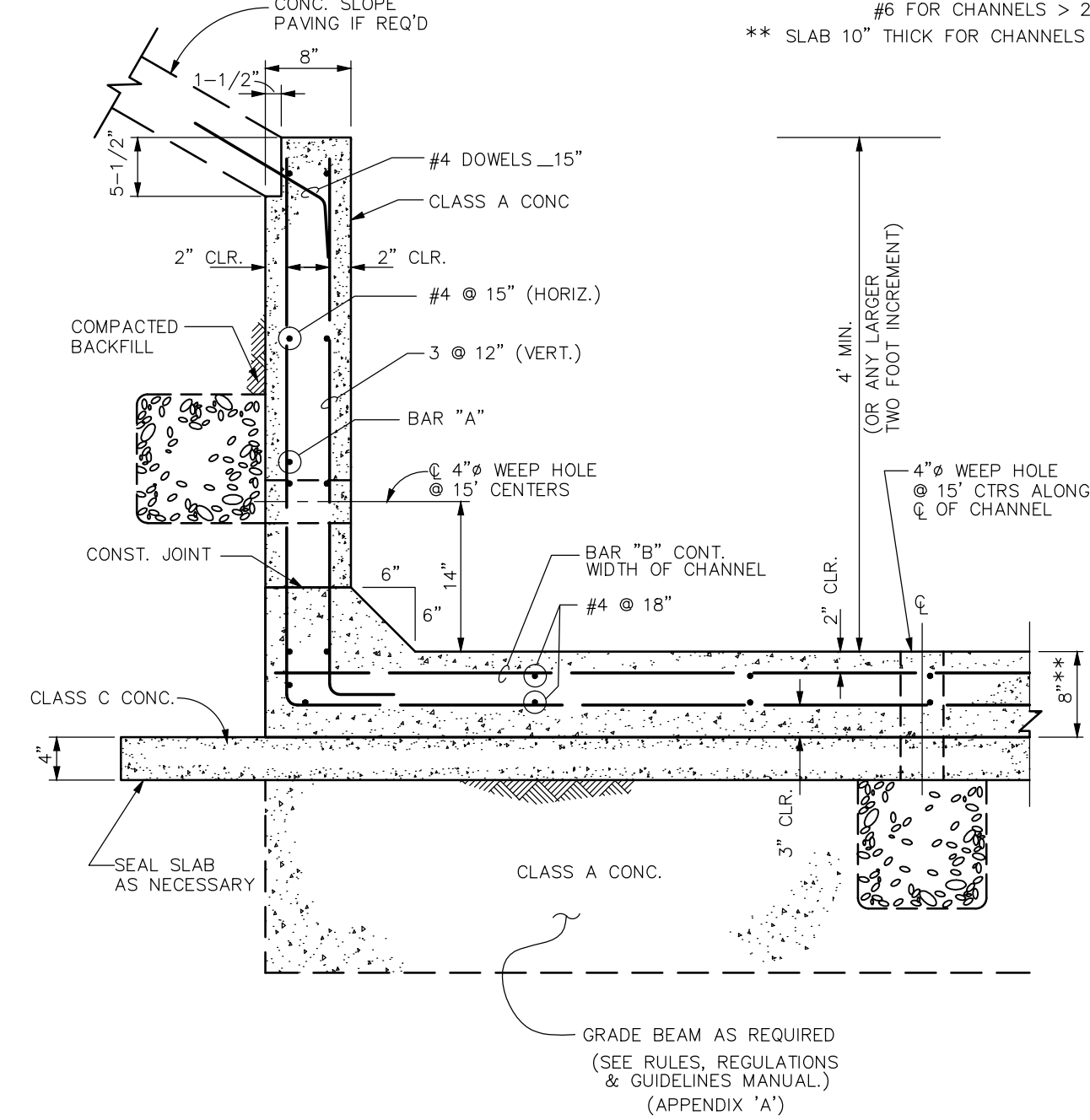
**NOTES:**

- THE PAVING THICKNESS AND REBAR PLACEMENT SHALL MEET THE MINIMUM REQUIREMENTS SHOWN IN THIS DETAIL. THE ENGINEER IS RESPONSIBLE FOR DESIGNING THE PAVEMENT AND REINFORCEMENT BASED UPON THE SITE CONDITIONS.
- ALL CONCRETE MUST HAVE A MINIMUM COMPRESSIVE STRENGTH OF 3,000 PSI AT 28 DAYS.

**SCHEDULE**

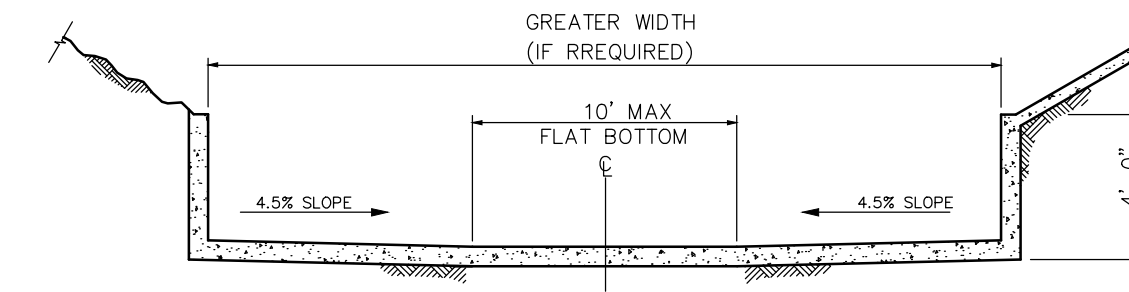
SOIL TYPE	BAR "A"	BAR "B"
SANDS & SILTS	#4 @ 12"	* @ 12"
SANDY CLAYS	#4 @ 9"	* @ 9"
CLAYS	#4 @ 9"	* @ 9"

\* BAR "B" #4 FOR CHANNELS 8' TO 12' WIDE  
#5 FOR CHANNELS 12' TO 20' WIDE  
#6 FOR CHANNELS > 20' WIDE  
\*\* SLAB 10" THICK FOR CHANNELS > 20' WIDE



NOTE: STRUCTURAL STEEL = GRADE 60

MINIMUM STRUCTURAL REQUIREMENTS FOR  
CONCRETE LOW FLOW SECTION  
DETAIL 2013-07-18-11

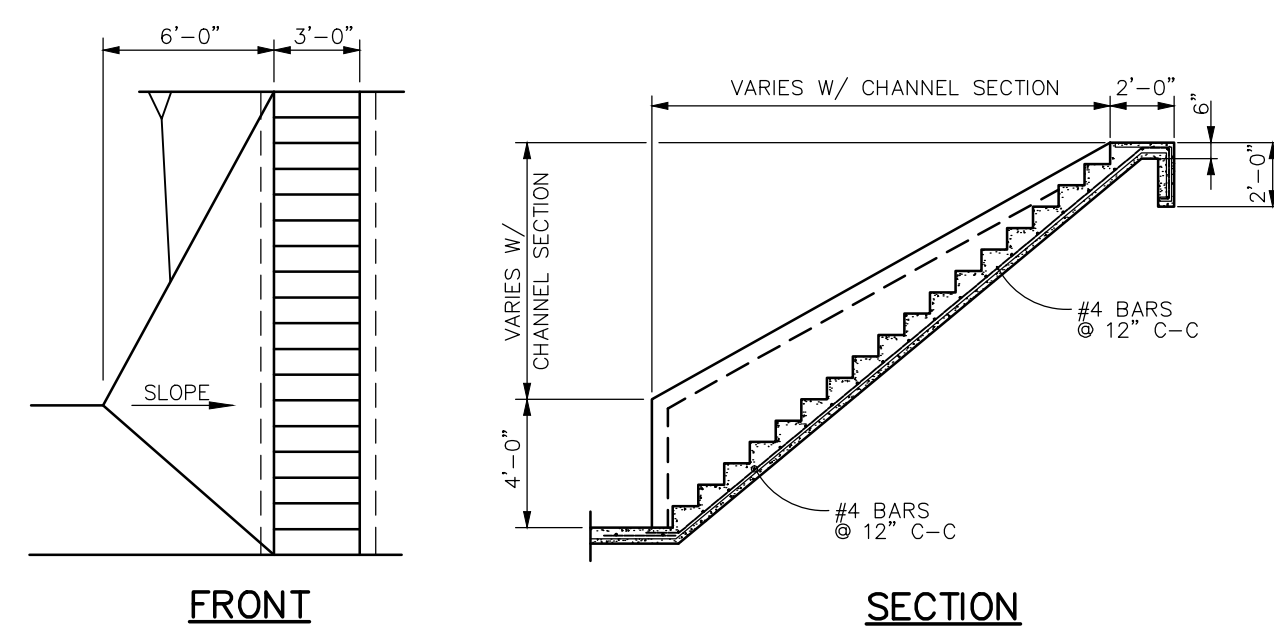


OVERSIZED CONCRETE LINED LOW FLOW SECTION  
DETAIL 2013-07-18-12

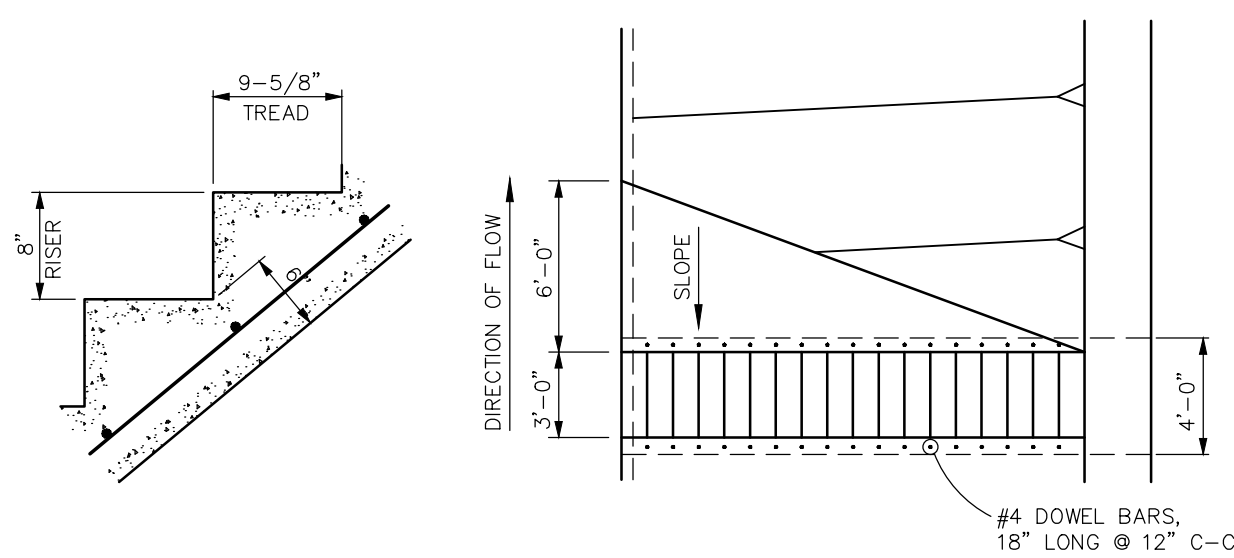
**BDD#4 SPECIAL NOTES**

- ANY GOVERNMENTAL BODY FOR PURPOSES OF DRAINAGE WORK MAY USE DRAINAGE EASEMENTS AND FEE STRIPS PROVIDED THE DISTRICT IS PROPERLY NOTIFIED.
- PERMANENT STRUCTURES, INCLUDING FENCES AND PERMANENT LANDSCAPING, SHALL NOT BE ERRECTED IN A DRAINAGE EASEMENT OR FEE STRIP.
- MAINTENANCE OF DETENTION FACILITIES IS THE SOLE RESPONSIBILITY OF THE OWNER OF THE PROPERTY. THE DISTRICT WILL PROVIDE MAINTENANCE OF REGIONAL FACILITIES OWNED AND CONSTRUCTED BY THE DISTRICT, OR SUBREGIONAL FACILITIES CONSTRUCTED BY DEVELOPER(S) FOR WHICH OWNERSHIP HAS BEEN TRANSFERRED TO THE DISTRICT WITH THE DISTRICT'S APPROVAL. THE DISTRICT IS RESPONSIBLE ONLY FOR THE MAINTENANCE OF FACILITIES OWNED BY THE DISTRICT UNLESS THE DISTRICT SPECIFICALLY CONTRACTS OR AGREES TO MAINTAIN OTHER FACILITIES.
- CONTRACTOR SHALL NOTIFY THE DISTRICT IN WRITING AT LEAST FORTY-EIGHT (48) HOURS BEFORE PLACING ANY CONCRETE FOR DRAINAGE STRUCTURES.
- THE DISTRICT'S PERSONNEL SHALL HAVE THE RIGHT TO ENTER UPON THE PROPERTY FOR INSPECTION AT ANY TIME DURING CONSTRUCTION OR AS MAY BE WARRANTED TO ENSURE THE DETENTION FACILITY IS OPERATING PROPERLY.
- APPROPRIATE COVER FOR THE SIDE SLOPES, BOTTOM AND MAINTENANCE BERM SHALL BE ESTABLISHED PRIOR TO ACCEPTANCE OF THE CONSTRUCTION BY THE DISTRICT. AT LEAST 95% GERMINATION OF THE GRASS MUST BE ESTABLISHED PRIOR TO ACCEPTANCE OF CONSTRUCTION BY THE DISTRICT.
- NO BUILDING PERMIT SHALL BE ISSUED FOR ANY LOT WITHIN THIS DEVELOPMENT UNTIL THE DETENTION FACILITY HAS BEEN CONSTRUCTED AND APPROVED BY THE DISTRICT.
- THE DISTRICT'S APPROVAL OF THE FINAL DRAINAGE PLAN (AND FINAL PLAT IF REQUIRED) DOES NOT AFFECT THE PROPERTY RIGHTS OF THIRD PARTIES. THE DEVELOPER IS RESPONSIBLE FOR OBTAINING AND MAINTAINING ANY AND ALL EASEMENTS, FEE STRIPS AND/OR ANY OTHER RIGHTS-OF-WAY ACROSS THIRD PARTIES' PROPERTIES FOR PURPOSES OF MOVING EXCESS RUNOFF TO THE DISTRICT'S DRAINAGE FACILITIES AS CONTEMPLATED BY THE FINAL DRAINAGE PLAN AND FINAL PLAT.

SEE THE RULES, REGULATIONS AND GUIDELINES FOR BRAZORIA DRAINAGE DISTRICT NO. 4, APPENDIX "A", EFFECTIVE MAY 1, 2013.

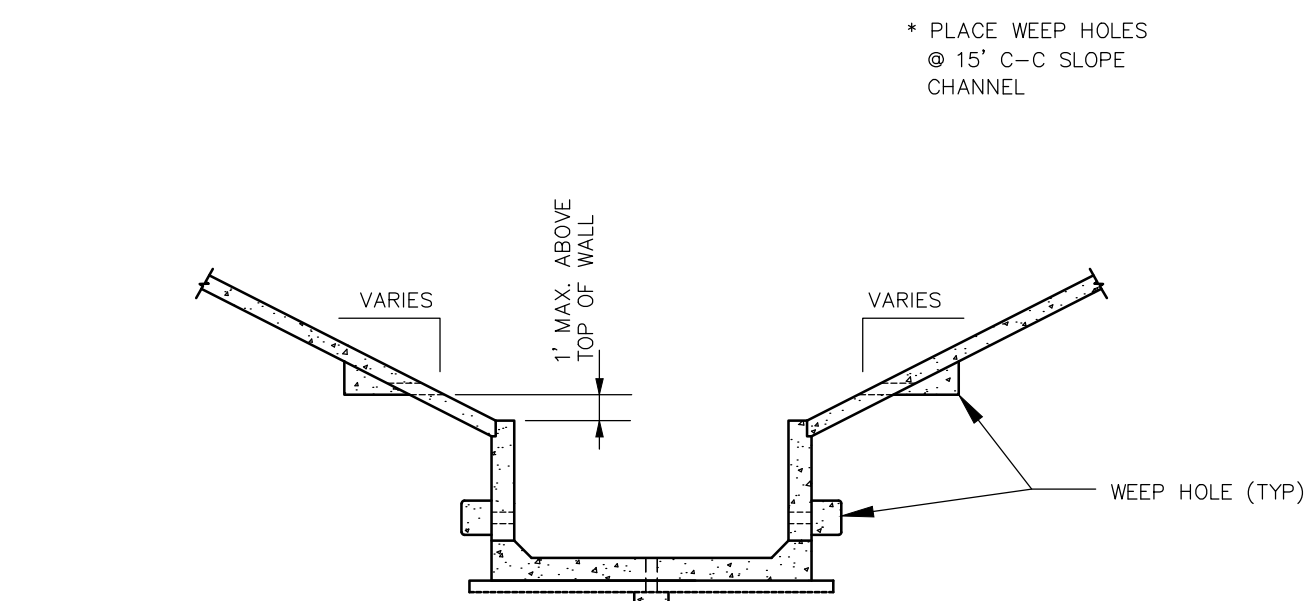


CHANNEL ESCAPE STAIRWAY FOR  
CONCRETE LOW FLOW SECTIONS  
DETAIL 2013-07-18-15

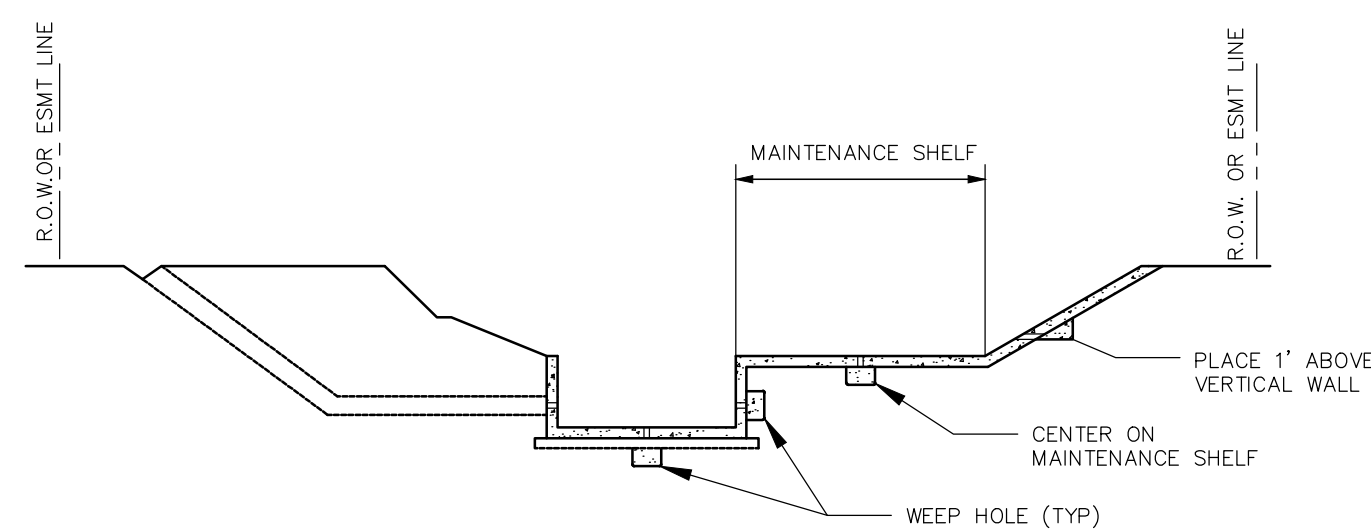


STEPS DETAIL

SECTION

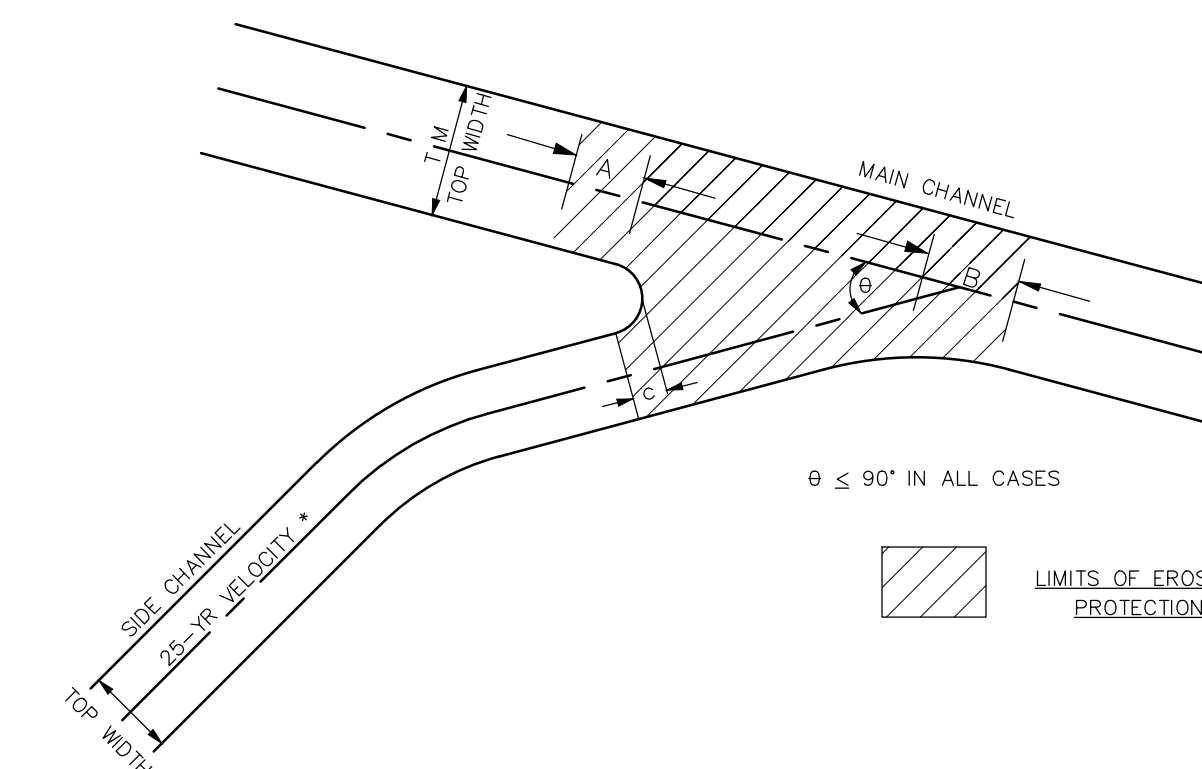


WEEP HOLE PLACEMENT-CONCRETE LINED LOW FLOW SECTION



WEEP HOLE PLACEMENT  
CONCRETE LOW FLOW SECTION WITH MAINTENANCE SHELF

DETAIL 2013-07-18-13



**MINIMUM EXTENT OF EROSION PROTECTION**

LOCATION	DISTANCE (FT)
a	20'
b	LARGER OF 50' OR $0.75 \times T_m \div \tan \theta$
c	20'

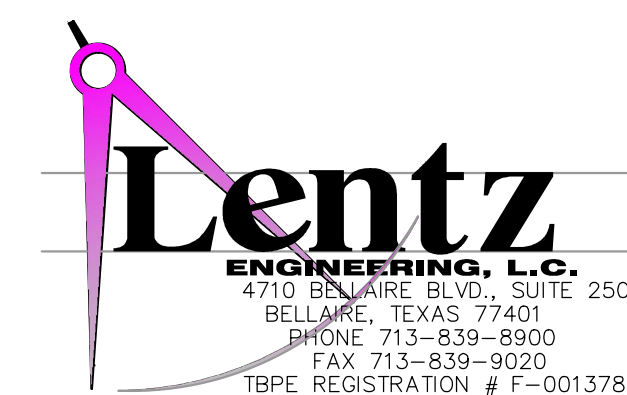
25 - YEAR VELOCITY * (FEET PER SECOND)	ANGLE OF INTERSECTION, $\theta$	
	15° - 45°	45° - 90°
4 OR MORE	PROTECTION	PROTECTION
2-4	NO PROTECTION	PROTECTION
2 OR LESS	NO PROTECTION	NO PROTECTION

\* NOTE: 25-YEAR VELOCITY IN SIDE CHANNEL ASSUMING NO BACKWATER FROM MAIN CHANNEL.

CHANNEL CONFLUENCE REQUIREMENTS.  
DETAIL 2013-07-18-16

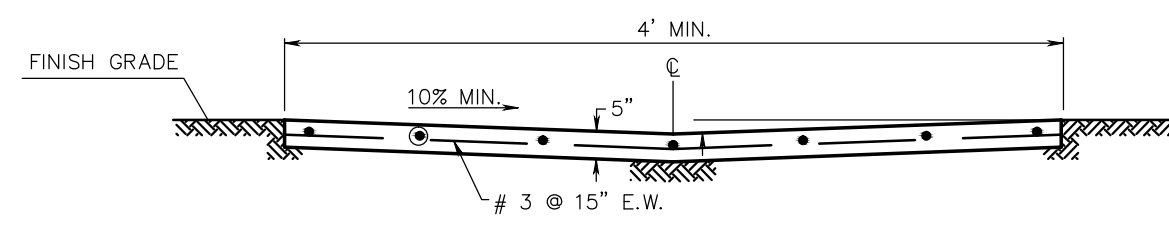
NO.	DATE	REVISIONS	APP.
06-01-10	EFFECTIVE		
05-01-13	REVISED STANDARD DETAILS		JDA

# BRAZORIA DRAINAGE DISTRICT NO. 4



STANDARD DETAILS	
DRAWN BY:	
DESIGNED BY:	
APPROVED BY:	
JOB NO.:	
SCALE:	NTS
DATE UPDATED:	05-01-13
SHEET NO.:	2 OF 4

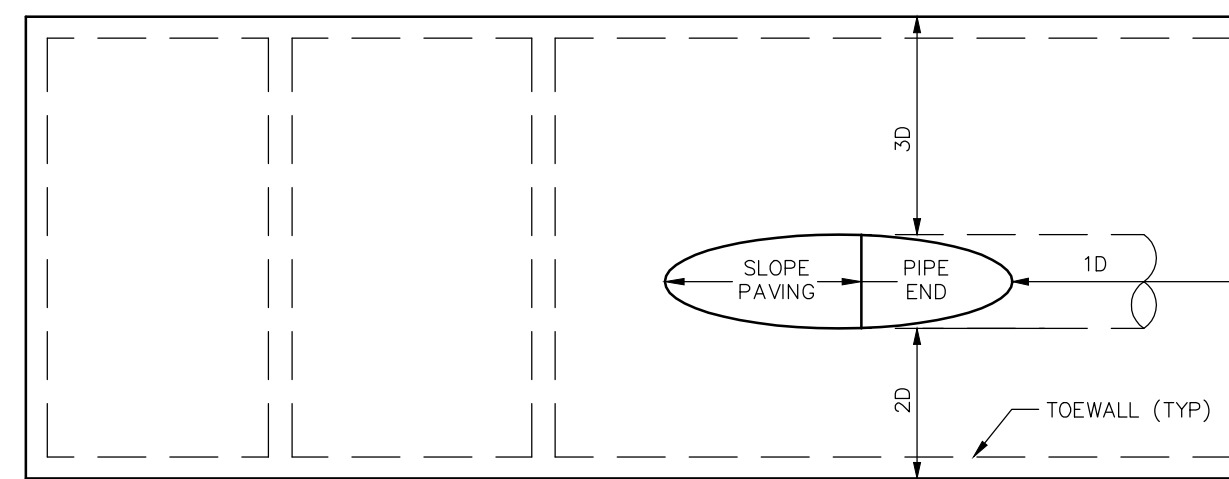




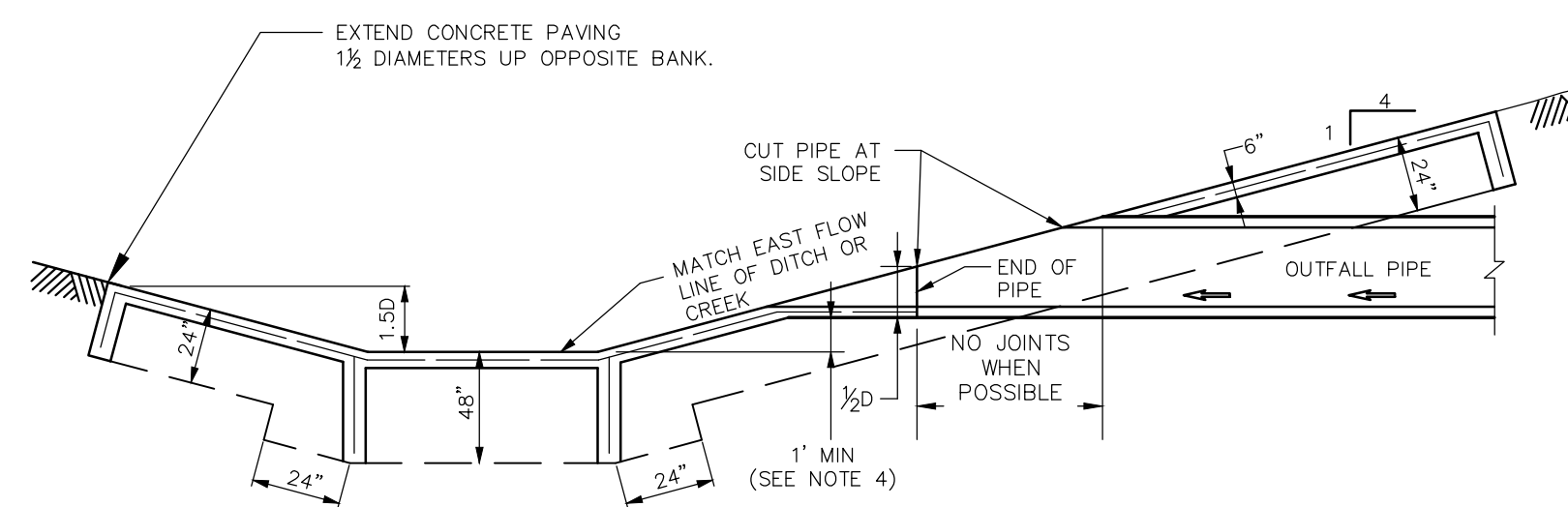
**NOTES:**

1. THE DIMENSIONS SHOWN ARE THE MINIMUM REQUIRED BY THE DISTRICT.
2. THE PAVING THICKNESS AND REBAR PLACEMENT SHALL MEET THE MINIMUM REQUIREMENTS SHOWN IN THIS DETAIL. THE ENGINEER IS RESPONSIBLE FOR DESIGNING THE PAVEMENT AND REINFORCEMENT BASED UPON THE SITE CONDITIONS.
3. ALL CONCRETE MUST HAVE A MINIMUM COMPRESSIVE STRENGTH OF 3,000 PSI AT 28 DAYS.
4. PILOT CHANNEL SHALL BE AT LEAST 1 FOOT WIDER THAN THE DIAMETER OF ANY PIPE CONNECTED TO THE PILOT CHANNEL.

DETENTION BASIN PILOT CHANNEL  
DETAIL 2013-07-18-05



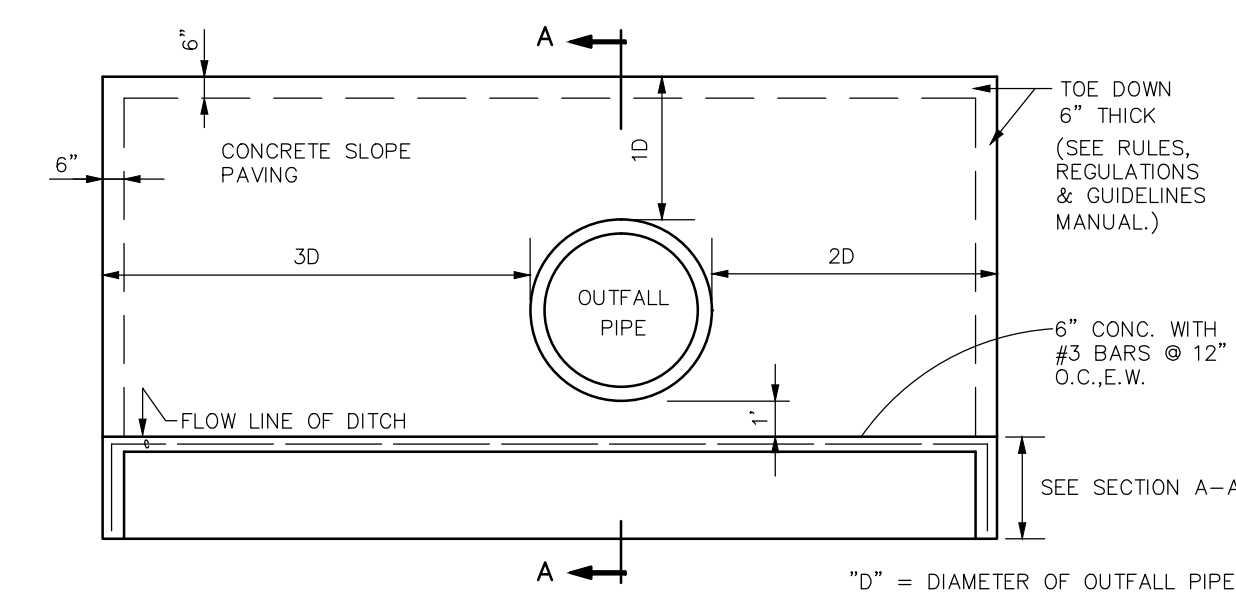
TOP VIEW



SECTION A-A

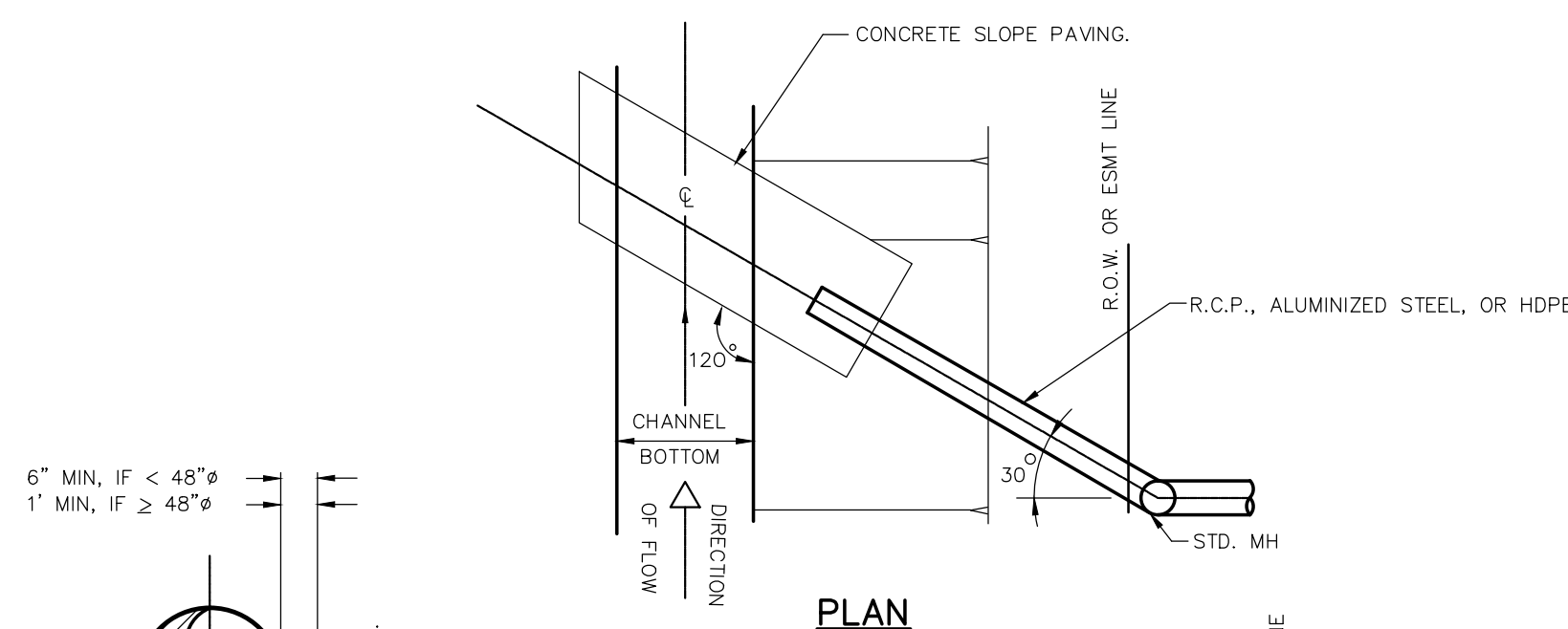
**NOTES:**

1. THE DIMENSIONS SHOWN ARE THE MINIMUM REQUIRED BY THE DISTRICT.
2. THE PAVING THICKNESS AND REBAR PLACEMENT SHALL MEET THE MINIMUM REQUIREMENTS SHOWN IN THIS DETAIL. THE ENGINEER IS RESPONSIBLE FOR DESIGNING THE PAVEMENT AND REINFORCEMENT BASED UPON THE SITE CONDITIONS.
3. ALL CONCRETE MUST HAVE A MINIMUM COMPRESSIVE STRENGTH OF 3,000 PSI AT 28 DAYS.
4. THE PROPOSED FLOWLINE OF THE PIPE SHALL BE PLACED A MINIMUM OF 1' ABOVE THE EXISTING FLOW LINE OF THE DITCH OR ORDINARY HIGH WATER MARK, WHICHEVER IS HIGHER.

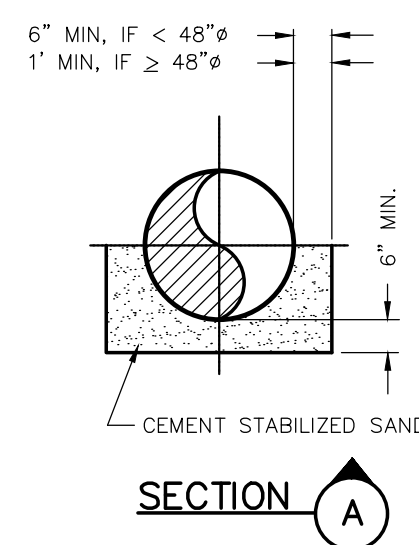


SIDE VIEW

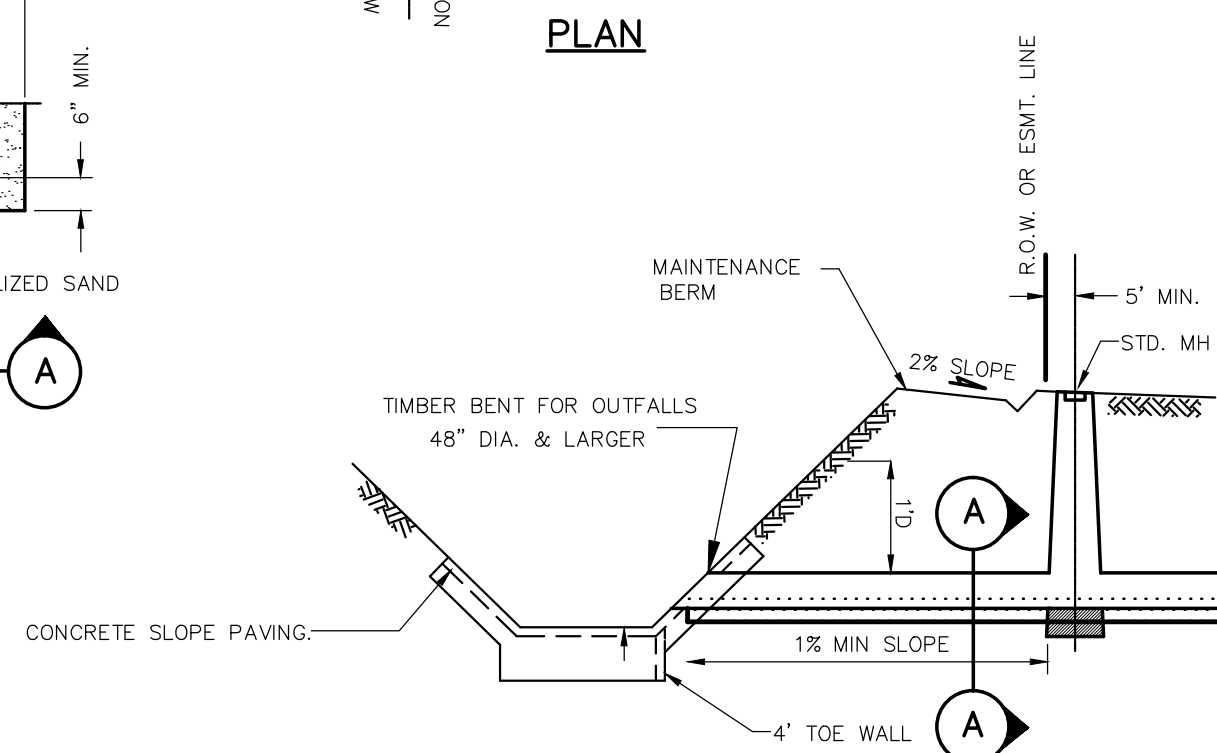
TYPICAL DRAWING  
OUTFALL PIPE TO DISTRICT OWNED  
AND/OR MAINTAINED FACILITIES  
DETAIL 2013-07-18-02



PLAN

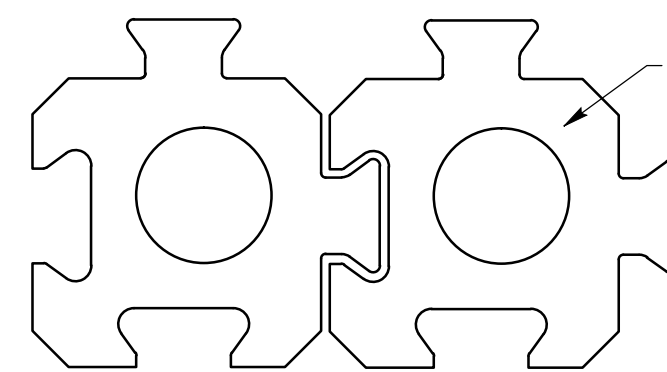


SECTION A



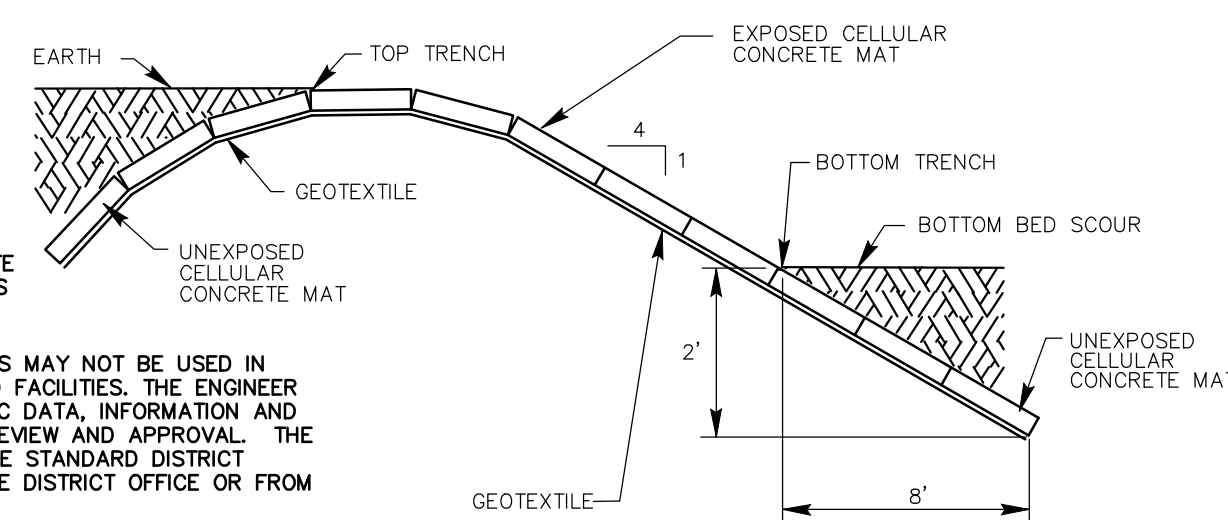
ELEVATION

TYPICAL STORM SEWER  
OUTFALL LAYOUT  
DETAIL 2013-07-18-03



- CELLULAR CONCRETE BLOCKS  
WITHOUT CABLES
- NOTE 1:** GEOTEXTILE TYPE VARIES DEPENDING ON SOIL CONDITIONS.
- NOTE 2:** BLOCKS TO BE BACKFILLED WITH TOP SOIL AND SEEDED FOR VEGETATION.
- NOTE 3:** BLOCKS SHALL BE A MINIMUM OF 5 1/2" THICK AND BE POSITIVELY INTERLOCKING.

DETAIL - BLOCK

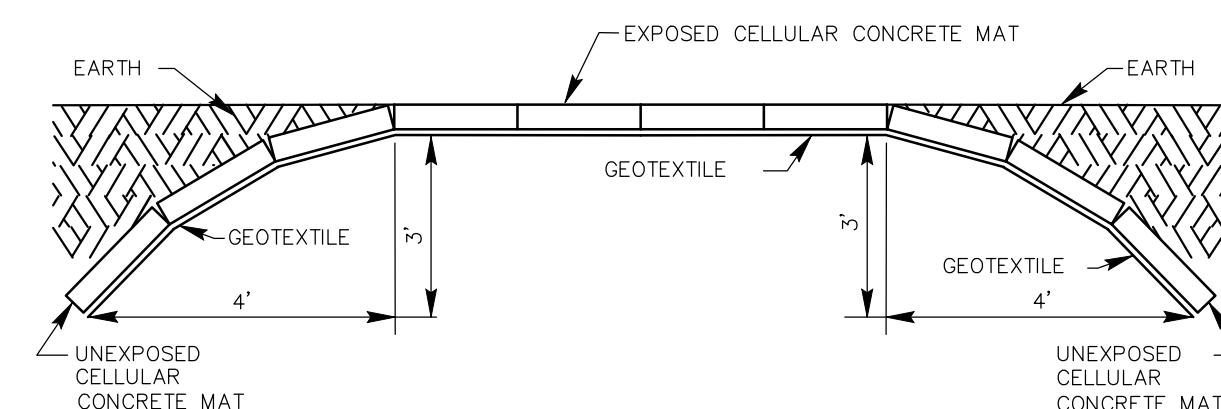


DETAIL - STANDARD SLOPE (4:1 SLOPE)

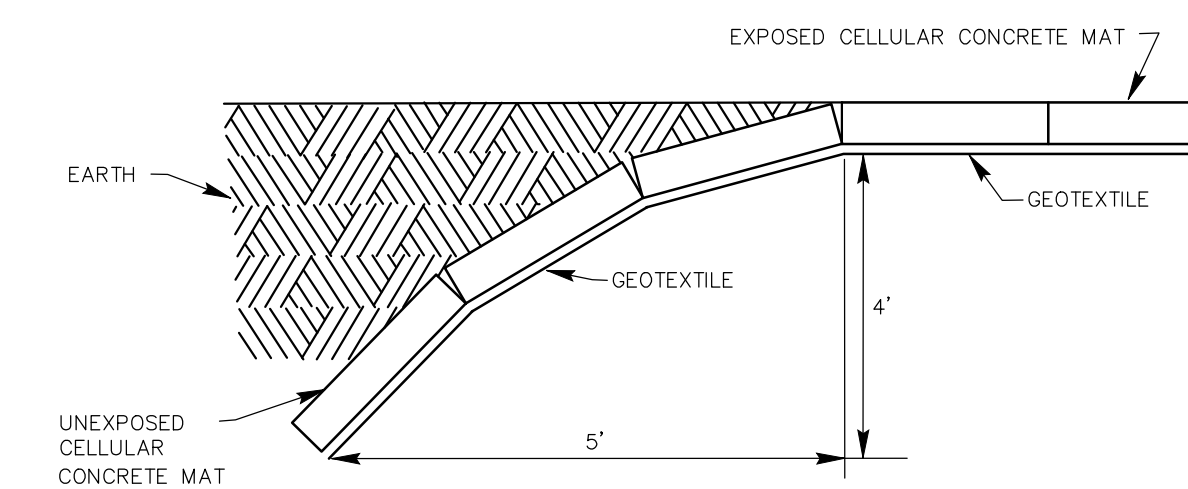
**NOTE:**

1. THERE IS NO REQUIREMENT TO USE INTERLOCKING BLOCKS IN PRIVATE FACILITIES. CONCRETE SLOPE PAVING MAY BE USED AS AN ALTERNATIVE.
2. INTERLOCKING CONCRETE BLOCKS MAY NOT BE USED IN DISTRICT OWNED OR MAINTAINED FACILITIES. THE ENGINEER SHALL SUBMIT PROJECT SPECIFIC DATA, INFORMATION AND DESIGN TO THE DISTRICT FOR REVIEW AND APPROVAL. THE BLOCKS SHALL CONFORM TO THE STANDARD DISTRICT SPECIFICATION AVAILABLE IN THE DISTRICT OFFICE OR FROM THE DISTRICT ENGINEER.
3. THE DISTRICT PREFERS CONCRETE SLOPE PAVING IN LIEU OF INTERLOCKING BLOCK.

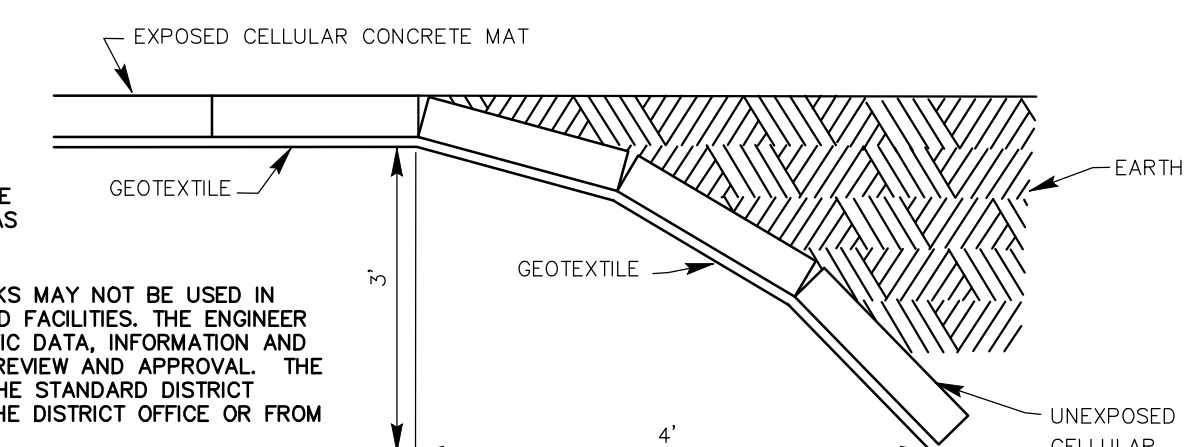
OPTIONAL INTERLOCKING BLOCK DETAIL FOR DISCHARGE INTO  
PRIVATELY OWNED AND MAINTAINED FACILITIES  
DETAIL 2013-07-18-17



DETAIL - SIDE FLANKS



UPSTREAM FLANK



DETAIL - UPSTREAM AND DOWNSTREAM FLANK

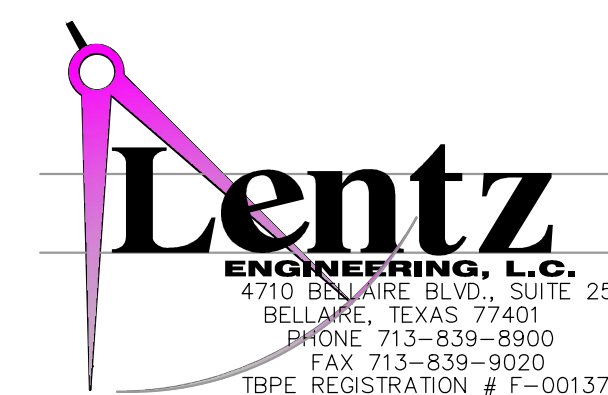
**NOTE:**

1. THERE IS NO REQUIREMENT TO USE INTERLOCKING BLOCKS IN PRIVATE FACILITIES. CONCRETE SLOPE PAVING MAY BE USED AS AN ALTERNATIVE.
2. INTERLOCKING CONCRETE BLOCKS MAY NOT BE USED IN DISTRICT OWNED OR MAINTAINED FACILITIES. THE ENGINEER SHALL SUBMIT PROJECT SPECIFIC DATA, INFORMATION AND DESIGN TO THE DISTRICT FOR REVIEW AND APPROVAL. THE BLOCKS SHALL CONFORM TO THE STANDARD DISTRICT SPECIFICATION AVAILABLE IN THE DISTRICT OFFICE OR FROM THE DISTRICT ENGINEER.
3. THE DISTRICT PREFERS CONCRETE SLOPE PAVING IN LIEU OF INTERLOCKING BLOCK.

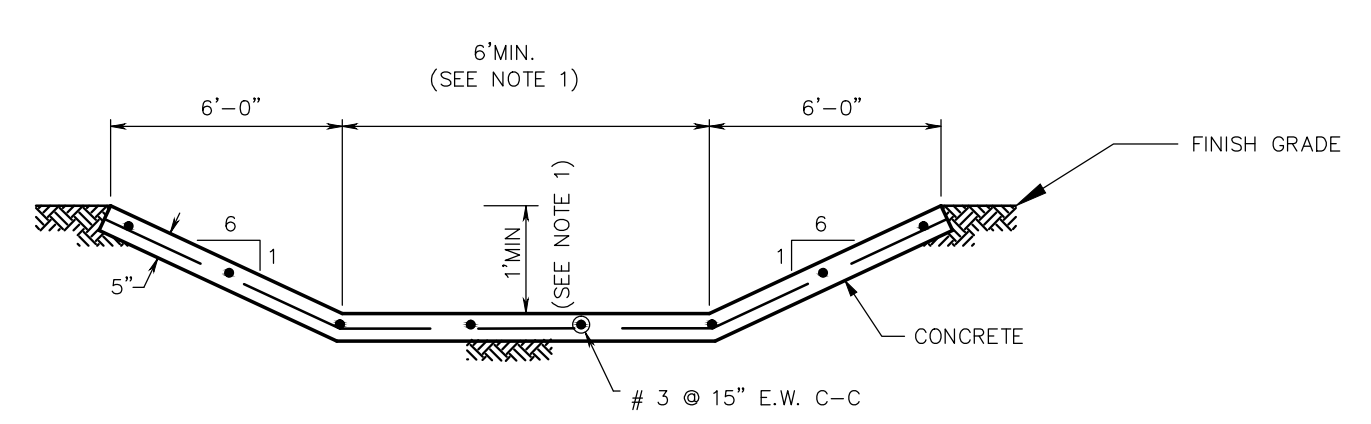
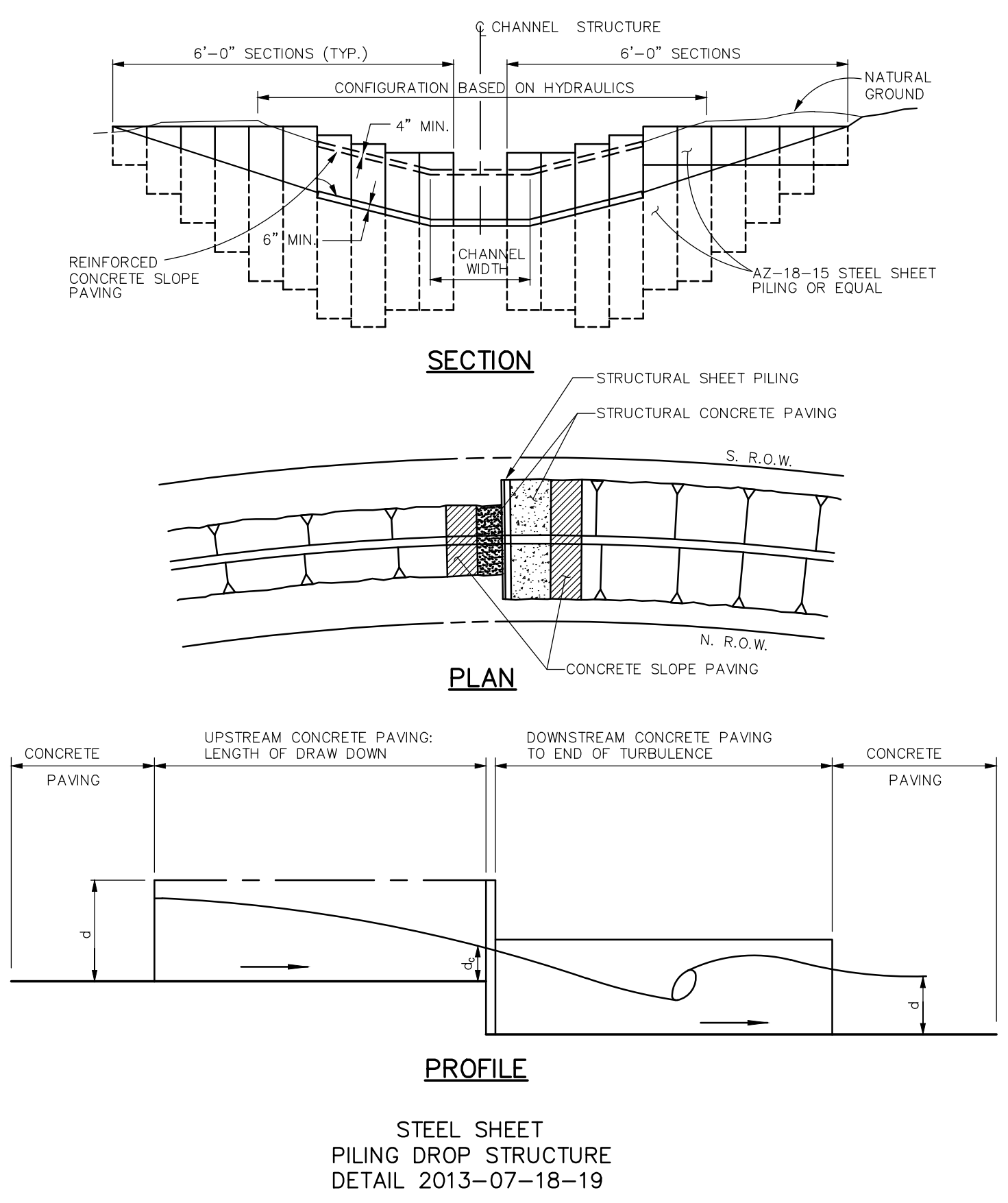
OPTIONAL INTERLOCKING BLOCK DETAIL FOR DISCHARGE INTO  
PRIVATELY OWNED AND MAINTAINED FACILITIES  
DETAIL 2013-07-18-18

NO.	DATE	REVISIONS	APP.
06-01-10	EFFECTIVE		
05-01-13	REVISED STANDARD DETAIL		JDA

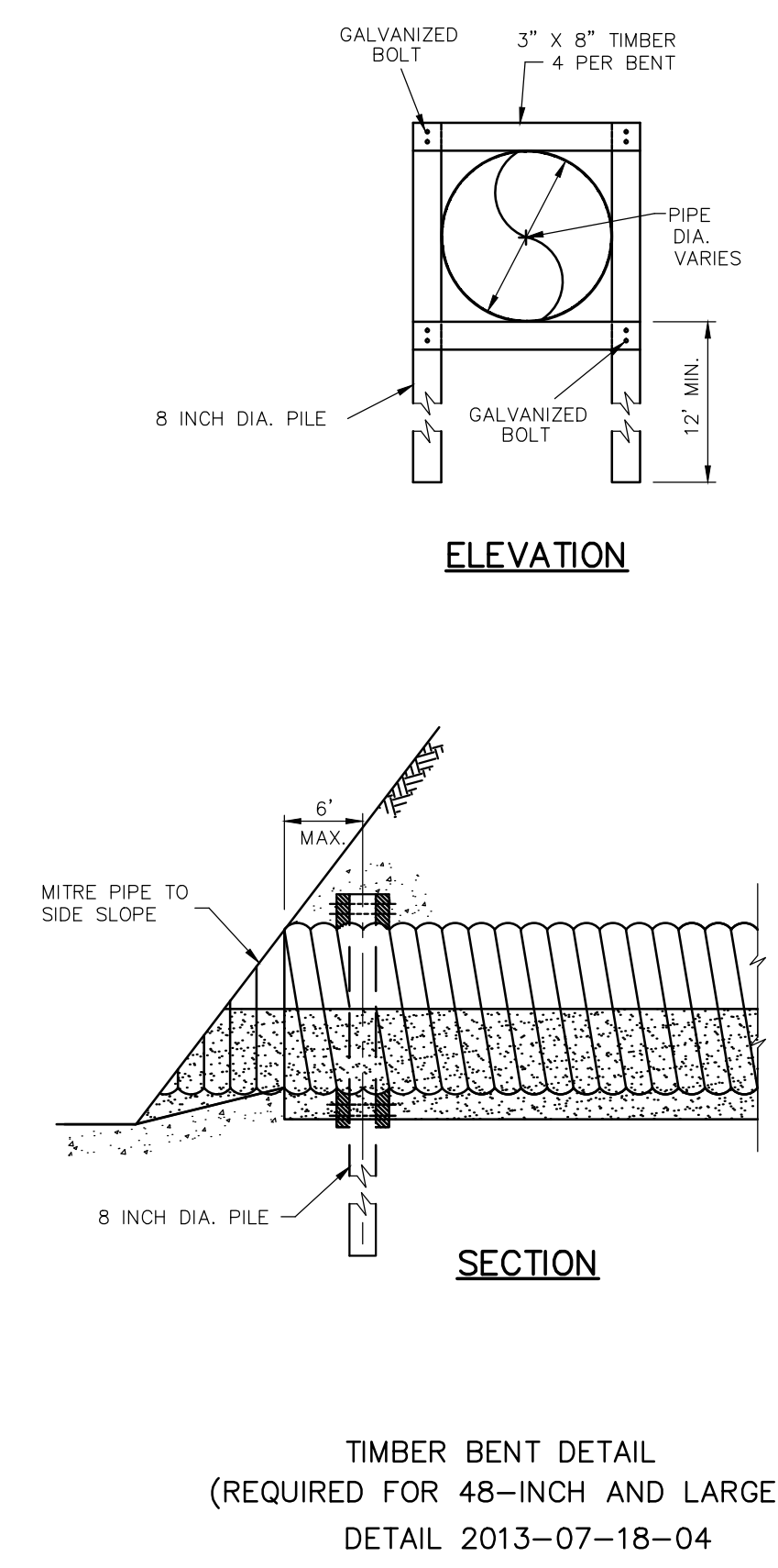
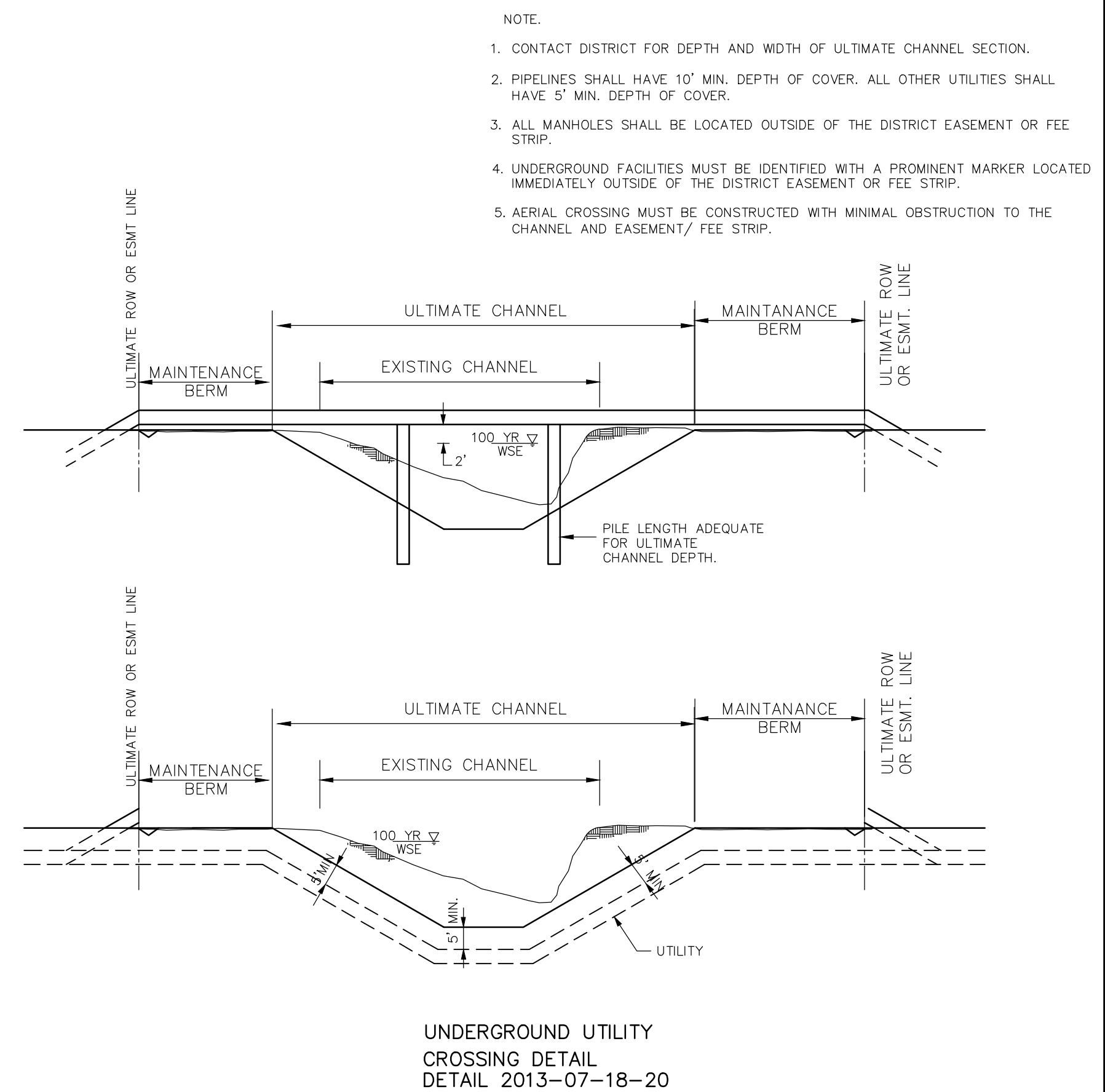
# BRAZORIA DRAINAGE DISTRICT NO. 4



STANDARD DETAILS	
DRAWN BY:	
DESIGNED BY:	
APPROVED BY:	
JOB NO.:	
SCALE:	NTS
DATE UPDATED:	05-01-13
SHEET NO.:	3 OF 4



- NOTES:**
1. THE DIMENSIONS SHOWN ARE THE MINIMUM REQUIRED BY THE DISTRICT.
  2. THE PAVING THICKNESS AND REBAR PLACEMENT SHALL MEET THE MINIMUM REQUIREMENTS SHOWN IN THIS DETAIL. THE ENGINEER IS RESPONSIBLE FOR DESIGNING THE PAVEMENT AND REINFORCEMENT BASED UPON THE SITE CONDITIONS.
  3. ALL CONCRETE MUST HAVE A MINIMUM COMPRESSIVE STRENGTH OF 3,000 PSI AT 28 DAYS.



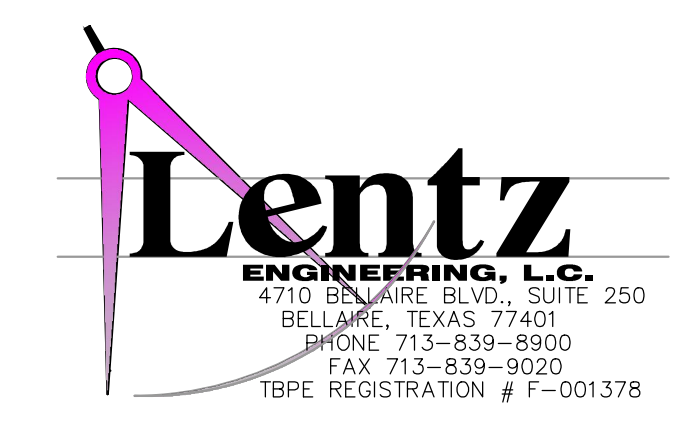
**BDD#4 SPECIAL NOTES**

1. ANY GOVERNMENTAL BODY FOR PURPOSES OF DRAINAGE WORK MAY USE DRAINAGE EASEMENTS AND FEE STRIPS PROVIDED THE DISTRICT IS PROPERLY NOTIFIED.
2. PERMANENT STRUCTURES, INCLUDING FENCES AND PERMANENT LANDSCAPING, SHALL NOT BE ERRECTED IN A DRAINAGE EASEMENT OR FEE STRIPS.
3. MAINTENANCE OF DETENTION FACILITIES IS THE SOLE RESPONSIBILITY OF THE OWNER OF THE PROPERTY. THE DISTRICT WILL PROVIDE MAINTENANCE OF REGIONAL FACILITIES OWNED AND CONSTRUCTED BY THE DISTRICT, OR SUBREGIONAL FACILITIES CONSTRUCTED BY DEVELOPER(S) FOR WHICH OWNERSHIP HAS BEEN TRANSFERRED TO THE DISTRICT WITH THE DISTRICTS APPROVAL. THE DISTRICT IS RESPONSIBLE ONLY FOR THE MAINTENANCE OF FACILITIES OWNED BY THE DISTRICT UNLESS THE DISTRICT SPECIFICALLY CONTRACTS OR AGREES TO MAINTAIN OTHER FACILITIES.
4. CONTRACTOR SHALL NOTIFY THE DISTRICT IN WRITING AT LEAST FORTY-EIGHT (48) HOURS BEFORE PLACING ANY CONCRETE FOR DRAINAGE STRUCTURES.
5. THE DISTRICTS PERSONNEL SHALL HAVE THE RIGHT TO ENTER UPON THE PROPERTY FOR INSPECTION AT ANY TIME DURING CONSTRUCTION OR AS MAY BE WARRANTED TO ENSURE THE DETENTION FACILITY IS OPERATING PROPERLY.
6. APPROPRIATE COVER FOR THE SIDE SLOPES, BOTTOM AND MAINTENANCE BERM SHALL BE ESTABLISHED PRIOR TO ACCEPTANCE OF THE CONSTRUCTION BY THE DISTRICT. AT LEAST 95% GERMINATION OF THE GRASS MUST BE ESTABLISHED PRIOR TO ACCEPTANCE OF CONSTRUCTION BY THE DISTRICT.
7. NO BUILDING PERMIT SHALL BE ISSUED FOR ANY LOT WITHIN THIS DEVELOPMENT UNTIL THE DETENTION FACILITY HAS BEEN CONSTRUCTED AND APPROVED BY THE DISTRICT.
8. THE DISTRICTS APPROVAL OF THE FINAL DRAINAGE PLAN (AND FINAL PLAT IF REQUIRED) DOES NOT AFFECT THE PROPERTY RIGHTS OF THIRD PARTIES. THE DEVELOPER IS RESPONSIBLE FOR OBTAINING AND MAINTAINING ANY AND ALL EASEMENTS, FEE STRIPS AND/OR ANY OTHER RIGHTS-OF-WAY ACROSS THIRD PARTIES' PROPERTIES FOR PURPOSES OF MOVING EXCESS RUNOFF TO THE DISTRICTS DRAINAGE FACILITIES AS CONTEMPLATED BY THE FINAL DRAINAGE PLAN AND FINAL PLAT.

SEE THE RULES, REGULATIONS AND GUIDELINES FOR BRAZORIA DRAINAGE DISTRICT NO. 4, APPENDIX "A". EFFECTIVE MAY 1, 2013.

NO.	DATE	REVISIONS	APP.
06-01-10	EFFECTIVE		
05-01-13	REVISED STANDARD DETAILS.		JDA

# BRAZORIA DRAINAGE DISTRICT NO. 4



STANDARD DETAILS	
DRAWN BY:	
DESIGNED BY:	SCALE: NTS
APPROVED BY:	DATE UPDATED: 05-01-13
JOB NO.:	SHEET NO.: 4 OF 4